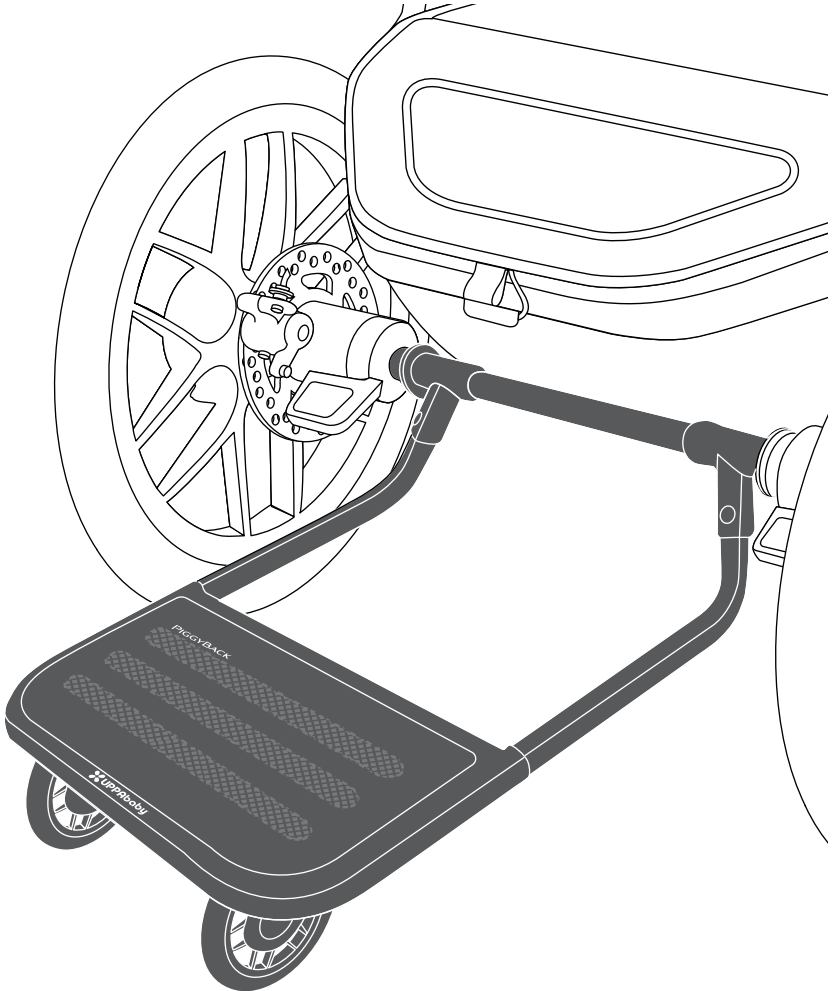


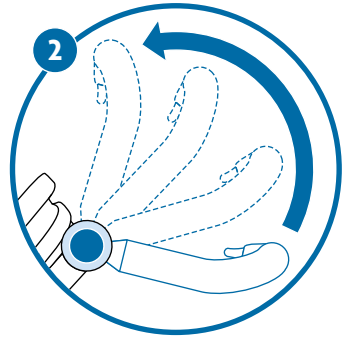
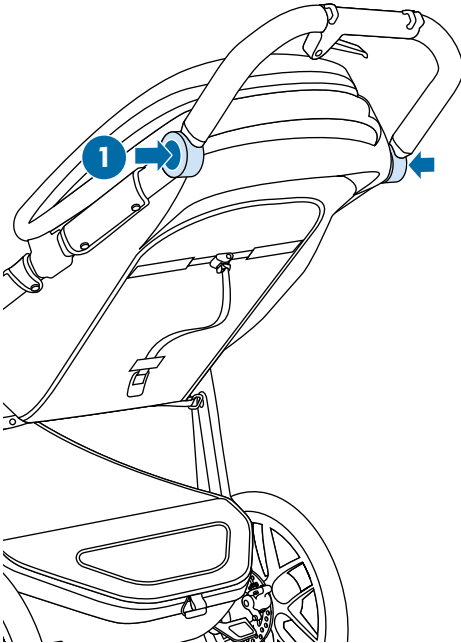
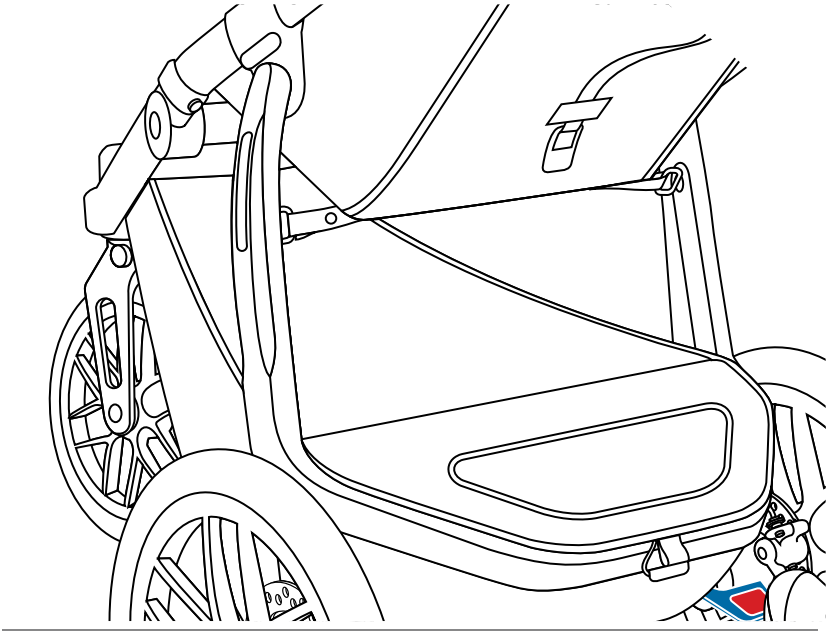
UPPAbaby

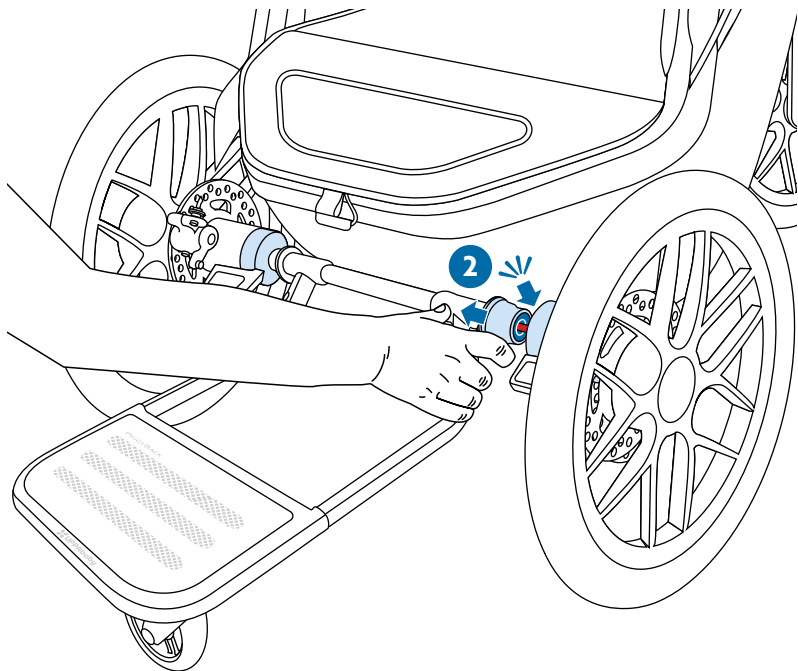
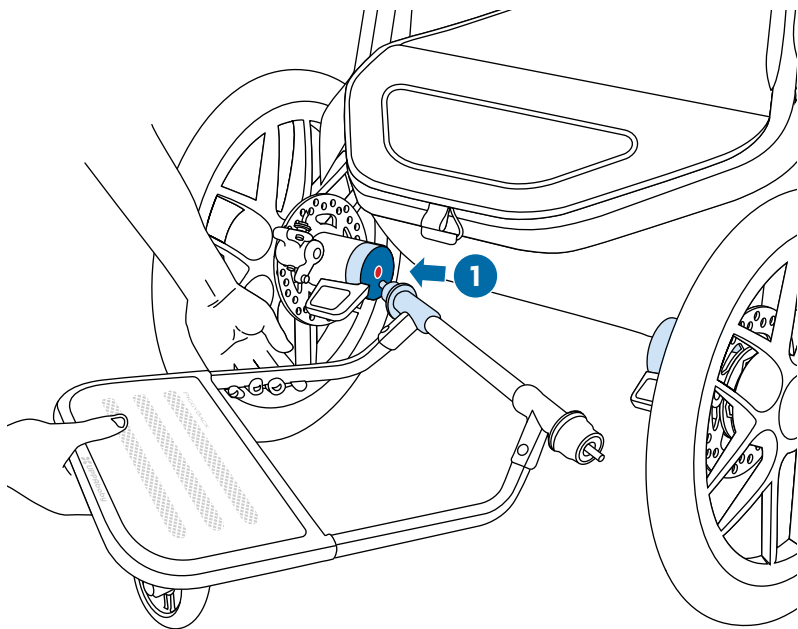
PIGGYBACK.

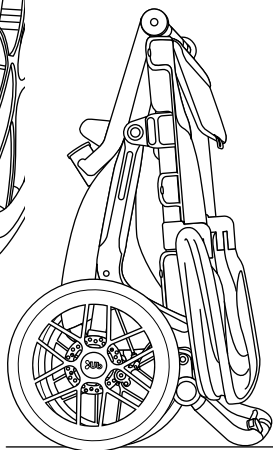
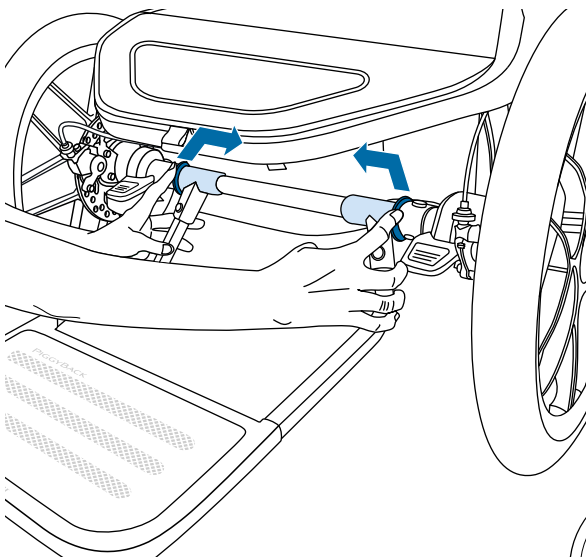
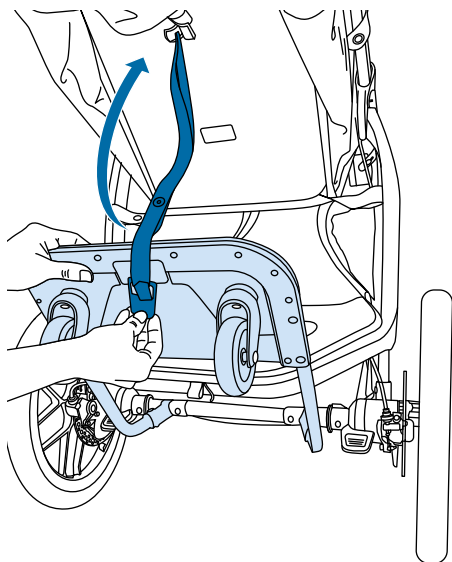
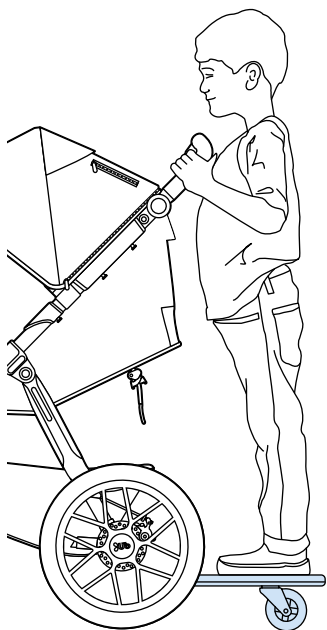


RIDGE









WARNING

FAILURE TO FOLLOW THESE WARNINGS AND INSTRUCTIONS
COULD RESULT IN SERIOUS INJURY OR DEATH. READ ALL
INSTRUCTIONS BEFORE USE:

- NEVER leave child unattended on this product.
- Stroller can tip if child attempts to hang from stroller handle.
- For use with UPPAbaby RIDGE stroller only.
- Maximum Weight Limit: 55 lbs (25 kg).
- Intended for use with only one child at a time.
- Always keep your hands on the stroller when your child is standing on the PiggyBack.
- Make sure that your child is always standing with both feet on the anti-slip portion of the PiggyBack and holding onto the handle bar to avoid any possible injury during use.
- Before each use, check PiggyBack attachment to stroller by lifting up PiggyBack board and checking hinges.
- **DO NOT** use if any part of the PiggyBack is loose, missing or broken.
- To avoid a risk of falling, **DO NOT** jog or walk on rough terrain with child on Piggyback or with Piggyback in the lowered position.
- Always have the handle bar in the highest position while child is on the Piggyback.

LIMITED WARRANTY: Your UPPAbaby product is warranted to be free from manufacturing defects for a period of 2 years from the date of purchase under normal use and in compliance with the operating instructions. For warranty information visit uppababy.com/warranty.



USA | UPPAbaby, 276 Weymouth Street, Rockland, MA 02370

Canada | 5514KM, 201 Wicksteed Avenue, Suite 2, Toronto, Ontario M4G 0B
uppababy.com | 1.844.823.3132

Model 0901-RPB-WW

All rights reserved. © 2021 UPPAbaby. UPPAbaby and all associated logos are trademarks.
All product specifications are correct at time of print. UPPAbaby reserves the right to change
anything at any time without prior notice. Color representation is as close as print
processes allow. Not all colors available at all retailers. **UbMAN092-V01**