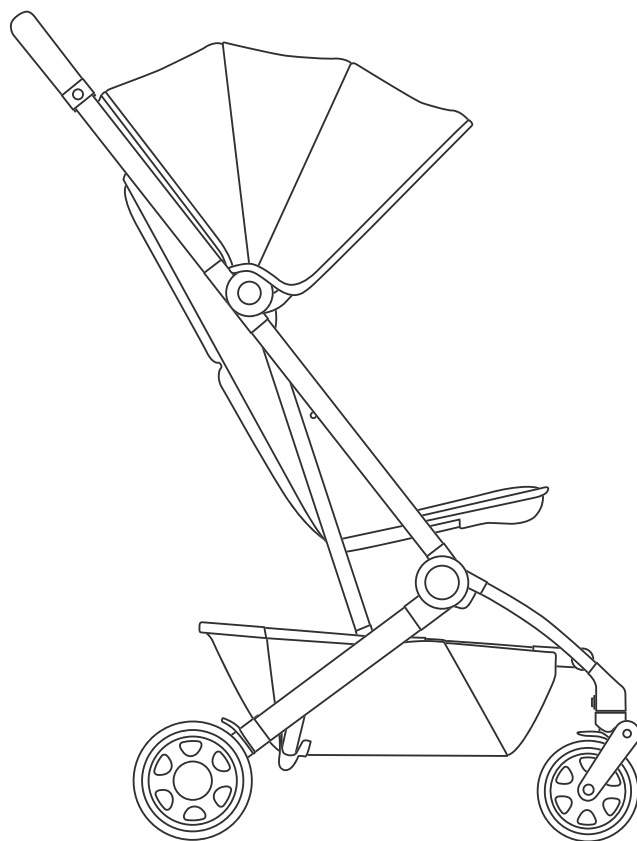


# instruction manual

# Joolz Aer

designed in The Netherlands



**JOO LZ** POSITIVE DESIGN  
stroll around the world of [joolz.com](http://joolz.com)



en	instruction manual	uk	інструкція з експлуатації
de	Gebrauchsanweisung	ee	kasutusjuhend
nl	gebruiksaanwijzing	lv	lietošanas instrukcija
fr	manuel d'instructions	lt	instrukcijų vadovas
es	manual de instrucciones	sl	navodila za uporabo
pt	manual de instruções	hr	priručnik za upotrebu
it	manuale di istruzioni	cs	návod k použití
sv	bruksanvisning	sk	návod na použitie
no	bruksanvisning	gr	οδηγίες χρήσης
ru	инструкция по эксплуатации	he	שומי של תוארוו
pl	instrukcja obsługi		

Brand of:  
Milk Design BV

**Joolz HQ**  
Distelweg 89  
1031 HD Amsterdam  
The Netherlands  
info@joolz.com  
+31 206 304 887

**Joolz USA Inc.**  
PO Box 4530  
New York  
NY 10163-4530  
info.us@joolz.com  
+1 (347) 252-4556

joolz.com  
facebook.com/myJoolz



At Joolz, we believe that good parenting is all about being happy. That's why we offer you the building blocks to spark your life with positivity. So, whatever defines your happiness, go after it and live it.

Our ergonomic buggys, car seats and (organic) accessories are designed to make sure you enjoy the ride.

**let's grow together**

**JOOLZ** POSITIVE  
DESIGN

# index

<b>introducing the Joolz Aer</b>	8
Einführung des Joolz Aer - introduction de la Joolz Aer	
<b>get me ready!</b>	12
Vorbereitung - préparons-nous!	
<b>how to use</b>	13
Nutzungshinweise - comment utiliser	
<b>how to use the Joolz Aer</b>	14
Benutzung des Joolz Aer - comment utiliser la Joolz Aer	
<b>how to use the seat harness</b>	17
Benutzung des Sitzgurtes - comment utiliser la harnais du siège	
<b>how to use the buckle</b>	17
Benutzung der Schnalle - comment utiliser la boucle d'attache	
<b>how to use the brake</b>	18
Nutzungshinweise Bremse - comment utiliser le frein	
<b>how to use the swivel lock</b>	18
Verwendung des Lenkstopps - comment utiliser les roues pivotantes	

<b>compact storage</b>	19
Kompakte Aufbewahrung - stockage compact	
<b>how to use the raincover (ex. Australia)</b>	20
Verwendung des Regenschutzes - comment utiliser la couverture de pluie	
<b>how to use the travel pouch</b>	21
Verwendung der Reisetasche - comment utiliser le sac de transport	
<b>warnings</b>	22
Warnhinweise - avertissements	
<b>maintenance</b>	23
Pflege - entretien	
<b>warranty</b>	23
Garantie - garantie	

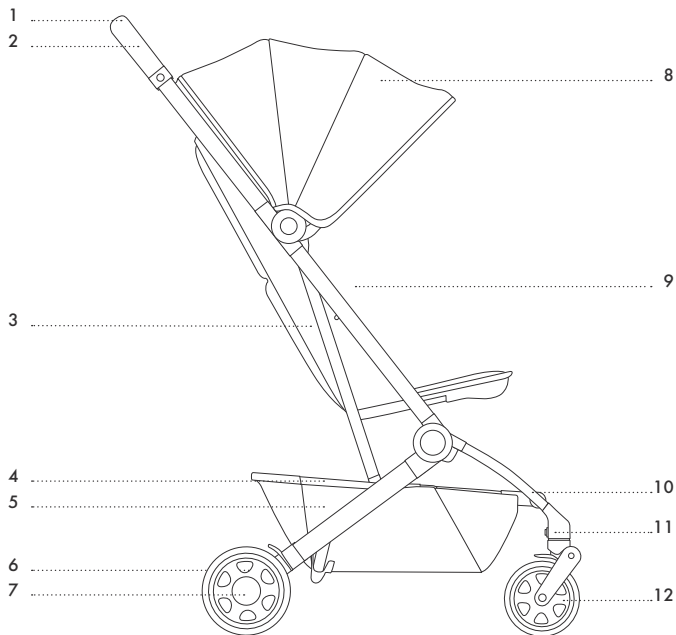


**how to movies:**

[www.youtube.com/JoolzHQ](http://www.youtube.com/JoolzHQ)

# introducing the Joolz Aer

Wir stellen den Joolz Aer vor - introduction de la Joolz Aer



1. **handlebar** Schiebegriff - guidon
2. **one hand (un)folding button** Taste zum Ausklappen mit einer Hand - bouton de (dé)pliage à une main
3. **reclinable seat with ventilation** Verstellbare Lehne mit Belüftung - siège inclinable avec ventilation
4. **carry strap** Tragegur - sangle de transport
5. **shopping basket** Korb - panier
6. **brake** Bremse - frein
7. **rear wheels** Hinterräder - roues arrière
8. **extendable sun hood with ventilation** Verlängerbares Sonnenverdeck mit Belüftung - capote extensible avec ventilation
9. **harness incl. buckle** Gurt inkl. Verschluss - harnais avec boucle incluse
10. **footrest** Fußstütze - repose-pieds
11. **swivel lock** Lenkstopp - verrou pivotant
12. **front swivel wheels** Schwenkräder - roues avant pivotantes



## sizes Maße - dimensions

**unfolded** Auseinandergeklappt - dépliée

83x45x105,5 cm/32.7x17.7x41.5 in

**folded** Zusammengeklappt - pliée

53,5x45x21,5 cm/21x17.7x8.5 in

**length backrest** Länge der Rückenlehne - longueur du siège

55 cm/21.7 in

**height handlebar** Höhe des Schiebebügels - hauteur du guidon

105,5 cm/41.5 in

## weights Gewichtsangaben - poids

Joolz Aer

6,3 kg/13.9 lbs

## weight capacity Kapazität - capacité

Joolz Aer

22 kg/50 lbs

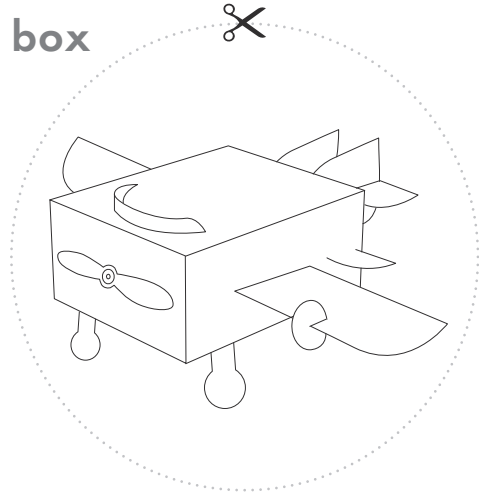
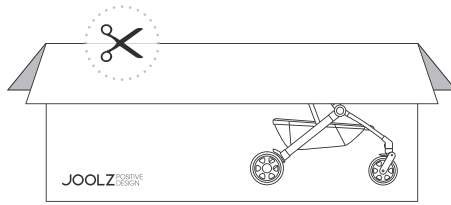
**basket** Korb - panier

5 kg/11 lbs

# reusable packaging

## hello airplane, goodbye box

see all the possibilities on [joolz.com](http://joolz.com)



JOOLZ



**lifetime warranty**  
[joolz.com](http://joolz.com)

## lifetime warranty

### stroll always & forever

apply your warranty within 6 months on [register.joolz.com](http://register.joolz.com)

## Birth Forest

### one buggy, one tree

experience our meaningful journey on [joolz.com](http://joolz.com)

JOOLZ



**Birth Forest**  
one pushchair  
one tree





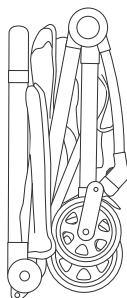
# get me ready!

Vorbereitung - préparons-nous!

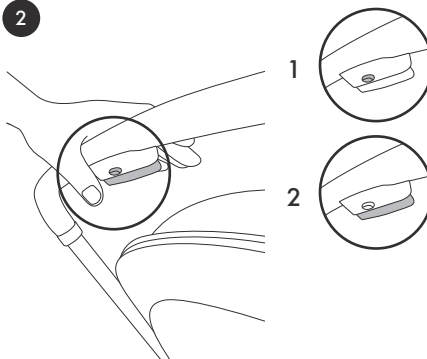


5 sec

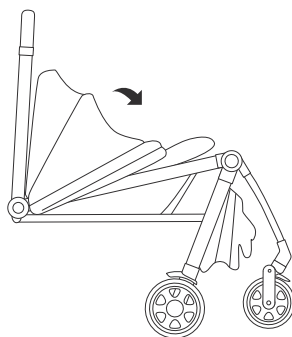
1



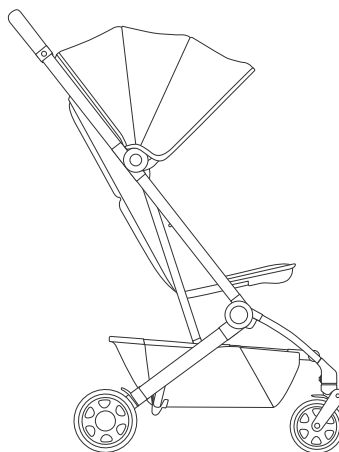
2

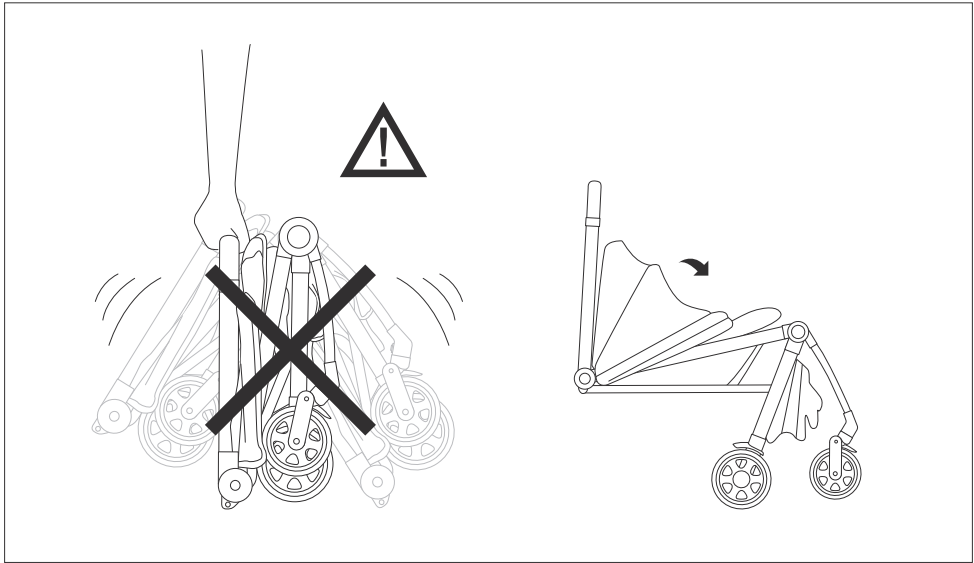


3



4





**WARNING:** To avoid injury ensure that you and your child/children are safe from moving parts when unfolding, folding and adjusting this product. Please note this product can unfold without using the activation button when shaken.

**WARNUNG:** Vergewissern Sie sich, dass Ihr Kind beim Aufklappen und Zusammenklappen des Wagens außer Reichweite ist, um Verletzungen zu vermeiden. Bitte beachten Sie, dass sich der Kinderwagen durch Schütteln auch ohne Betätigung des Auslöseknopfes selbständig aufklappen kann.

**AVERTISSEMENT:** pour éviter les blessures, assurez-vous que votre enfant est en sécurité, à l'écart des pièces en mouvement lors du dépliage, du pliage et de l'ajustement de ce produit. Veuillez noter que la poussette peut se déplier seule si vous la secouez, même sans appuyer sur le bouton d'activation.



## how to use

Nutzungshinweise - comment utiliser

### how to use the Joolz Aer

Benutzung des Joolz Aer - comment utiliser la Joolz Aer

14

### how to use the seat harness

Benutzung des Sitzgurtes - comment utiliser la harnais du siège

16

### how to use the buckle

Benutzung der Schnalle - comment utiliser la boucle d'attache

16

### how to use the brake

Nutzungshinweise Bremse - comment utiliser le frein

17

### how to use the swivel lock

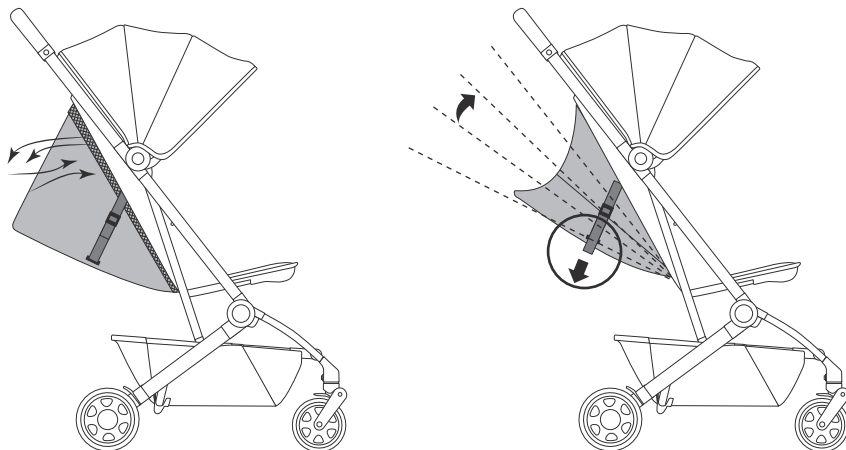
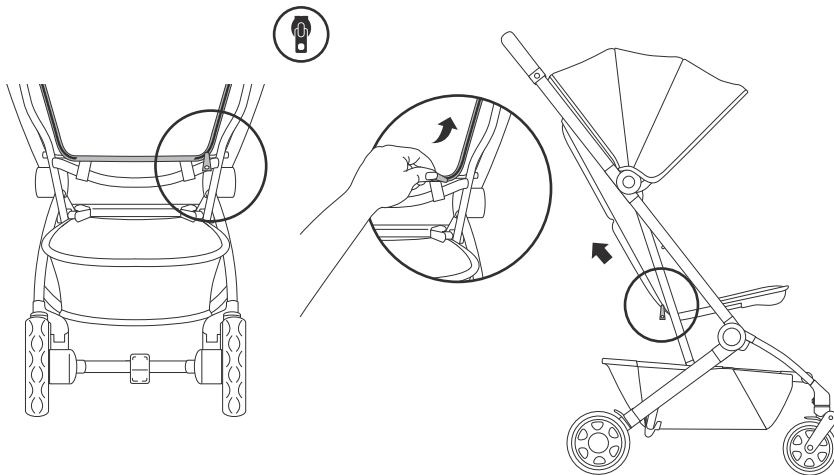
Nutzungshinweise Bremse - comment utiliser les roues pivotantes

17



# how to use the Joolz Aer

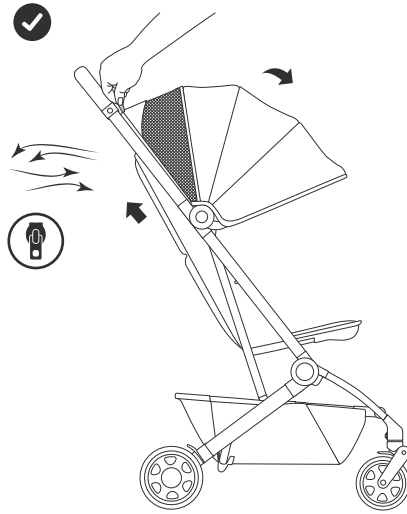
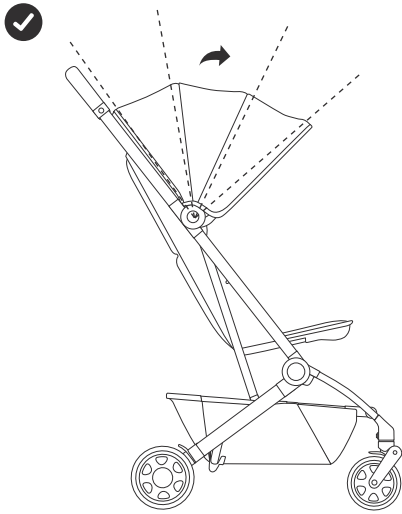
Benutzung des Joolz Aer - comment utiliser la Joolz Aer



**NOTE:** breezes of fresh air

**HINWEIS:** Ausgerüstet mit optimaler Ventilation

**NOTE:** allons prendre l'air



**NOTE:** breezes of fresh air

**HINWEIS:** Ausgerüstet mit optimaler Ventilation

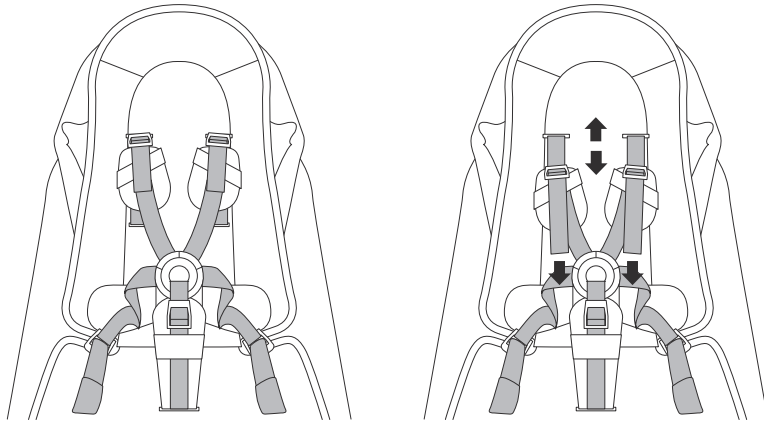
**NOTE:** allons prendre l'air





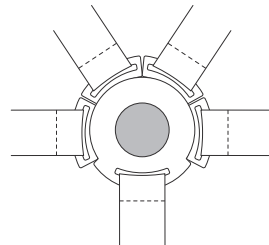
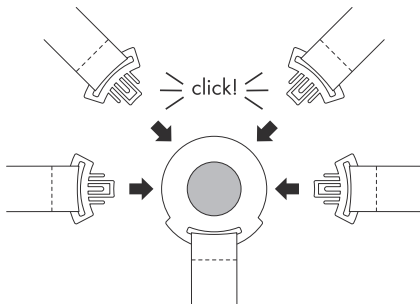
## how to use the seat harness

Benutzung des Sitzgurtes - comment utiliser le harnais du siège



## how to use the buckle

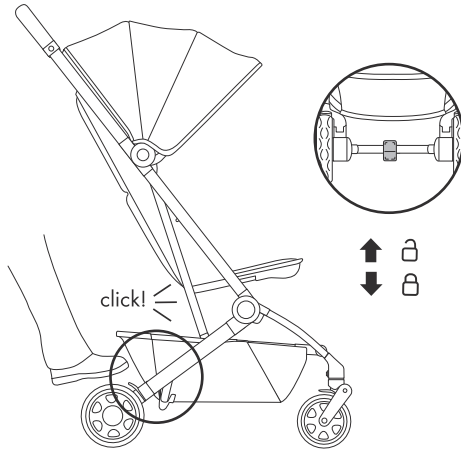
Benutzung der Schnalle - comment utiliser la boucle d'attache





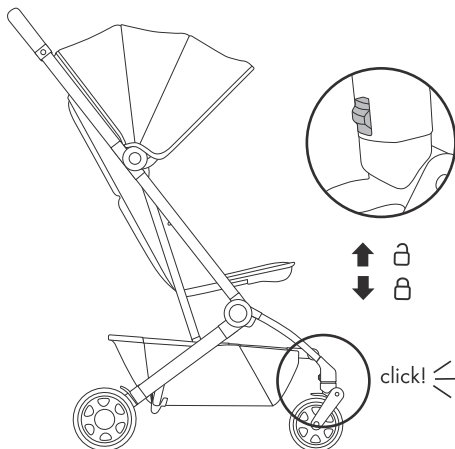
## how to use the brake

Nutzungshinweise Bremse - comment utiliser le frein



## how to use the swivel lock

Verwendung des Lenkstops - comment utiliser les roues pivotantes

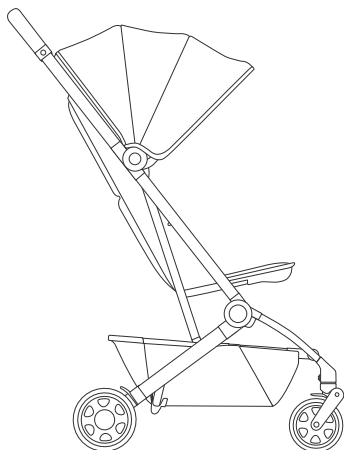




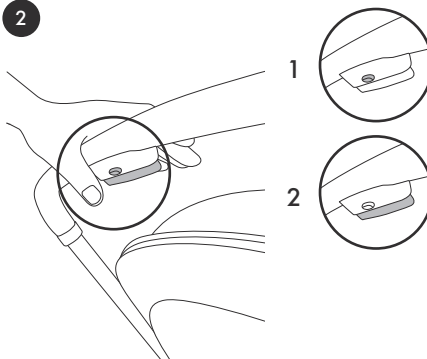
## compact storage

Kompakte Aufbewahrung - stockage compact

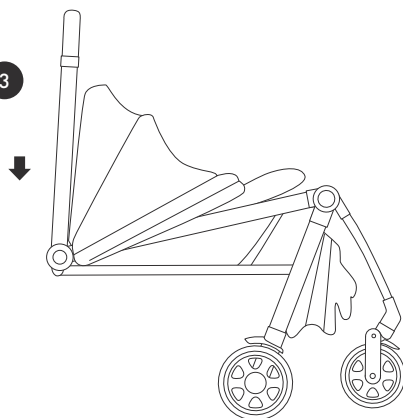
1



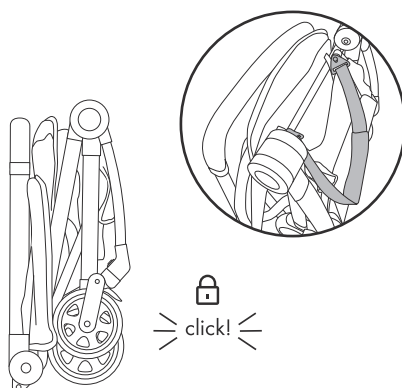
2



3



4



**WARNING: to avoid injury ensure that you and your child/children are safe from moving parts when unfolding, folding and adjusting this product.**

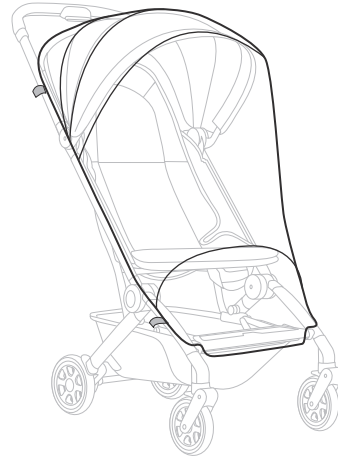
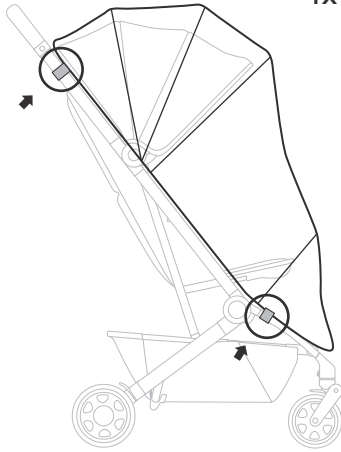
**WARNUNG: Vergewissern Sie sich, dass Ihr Kind beim Aufklappen und Zusammenklappen des Wagens außer Reichweite ist, um Verletzungen zu vermeiden.**

**AVERTISSEMENT: pour éviter les blessures, assurez-vous que votre enfant est en sécurité, à l'écart des pièces en mouvement lors du dépliage, du pliage et de l'ajustement de ce produit.**



## how to use the raincover (ex. Australia)

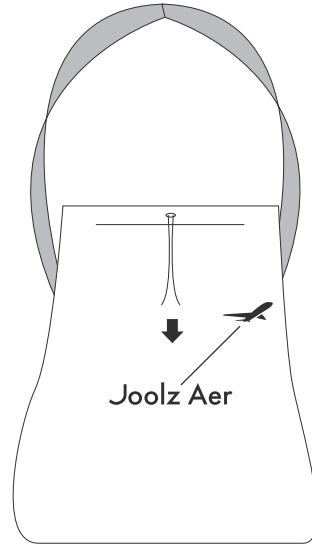
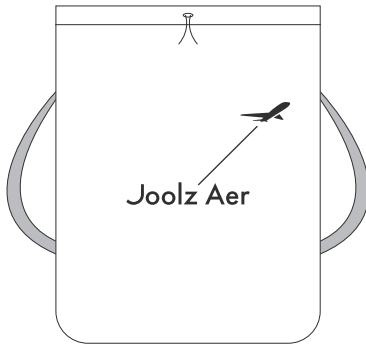
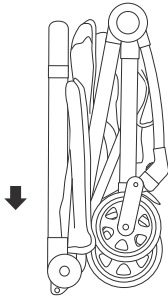
Verwendung des Regenschutzes - comment utiliser la couverture de pluie





## how to use the travel pouch

Verwendung der Reisetasche - comment utiliser le sac de transport



# ENGLISH

**IMPORTANT:** PLEASE READ THESE INSTRUCTIONS CAREFULLY BEFORE USAGE AND KEEP THEM FOR FUTURE REFERENCE. FOLLOW THE MANUFACTURER 'S INSTRUCTION.

## **WARNING**

- + The seat unit is intended up to maximum weight of 22 kg and maximum height of 108 cm.
- + For USA the seat unit is tested for a maximum weight of 50 lbs and maximum height of 42.5 inch.
- + The seat unit is not suitable for children under 6 months.
- + This product is not suitable for running or skating.
- + Never leave the child unattended.
- + To avoid injury, ensure that your child/ children are kept away when adjusting, unfolding and folding this product.
- + Be aware of finger entrapment when folding or unfolding the pram/stroller. Due care should be exercised.
- + Avoid serious injury from falling or sliding out. Always use the restraint system.
- + Ensure that all locking devices are engaged before use.
- + Check that the seat unit or car seat attachment devices are correctly engaged before use.
- + The seat unit is only compatible with the Joolz Aer chassis and vice versa.
- + Any load attached to the pushbar and/ or on the back of the backrest and/ or on the sides of the vehicle will affect the stability of the vehicle.
- + Parcels or accessory items, or both, placed on the unit may cause the unit to become unstable. Excessive weight may cause a hazardous unstable condition.
- + The seat unit can carry only one child at a time.
- + Only use car seats, replacement or spare parts and accessories that are supplied or approved by Joolz.
- + Do not use any pillow, comforter, or additional mattress for padding that are not supplied or approved by Joolz.
- + Car seats used in conjunction with a chassis do not replace a cot or a bed. Should your child need to sleep, then it should be placed in a suitable crib, bed or approved sleeping area based on your child's requirements.
- + Check the buggy chassis, seat unit and accessories regularly for signs of damage and tear.
- + Do not use the buggy if any of the parts are damaged, torn or missing.
- + The brakes should always be engaged when placing and removing the children.
- + The maximum weight of the shopping basket is 5 kg/11 lbs.
- + Make sure that children do not climb into the buggy.
- + Do not let a child/children play with this product.
- + Make sure that the brake pedal is fully engaged when applying the brake.
- + The maximum weight of the backrest pocket is 2 kg/4.4 lbs.

## MAINTENANCE/WASHING INSTRUCTIONS

Clean the fabric with lukewarm water and soap. Rinse with fresh water and leave to dry. Never use bleach or other chemical detergents. Periodically (approximately once a month) treat the wheels and metal parts with Teflon or silicon spray to ensure the buggy continues to run smoothly.



The aluminium parts of your Aer buggy are coated to protect it from external influences such as corrosion. Coated aluminium parts are vulnerable to acidic cleaners or grease, which can cause stains and discoloration of the aluminium parts. We therefore advise you to clean the aluminium parts of your buggy with warm water and a soft cloth.

## WARRANTY

Joolz offers lifetime warranty on the Joolz Aer. The warranty covers all material and manufacturing faults, but not the exchange or return of the product. To be eligible for the lifetime warranty, all you have to do is register your Joolz buggy on [register.joolz.com](https://register.joolz.com) within six months of purchase and keep your original proof of purchase including a purchase date. If you do not register your Joolz buggy within six months after purchase, you will receive a two-year warranty.

The warranty is only valid if you supply the following items to your retailer along with the defective product:

- 1) Your warranty certificate,
- 2) Any form of personal identification,
- 3) A copy of the receipt of purchase (including a purchase date),
- 4) A detailed description of the defect.

You will receive the warranty certificate after you have registered your Joolz buggy on our website [register.joolz.com](https://register.joolz.com).

If your retailer cannot assist you with your complaint, contact Joolz. Please note, any repairs do not extend the warranty period.

## THE WARRANTY DOES NOT COVER:

- 1) Defects caused by ordinary wear and tear, such as worn wheels and fabrics by everyday use, scratches on the aluminium and/or metal and natural discolouration of materials over time or by not following the maintenance instructions.
- 2) Damage to wheels such as holes and tears.
- 3) Damage caused by accidents, improper use, negligence, fire, contact with liquids or another external cause.
- 4) Damage resulting from non-compliance with the instruction manual, instruction movies or other Joolz guidelines.
- 5) Damage caused by another product, including accessories.
- 6) Damage by service or repair by an unofficial representative of Joolz.
- 7) Theft.
- 8) Air transportation or freight damage.

Safety was an important consideration throughout the development of the Joolz Aer. Our products therefore meet the following safety standards:

Europe: EN 1888-2:2018

United States: ASTM F833-19

Canada: SOR/2016-167

Australia: AS/NZS 2088:2013

Please visit [joolz.com](https://joolz.com), [facebook.com/myjoolz](https://facebook.com/myjoolz) or contact your retailer for any questions and/or comments.

# AUSTRALIA

**IMPORTANT:** PLEASE READ THESE INSTRUCTIONS CAREFULLY BEFORE USAGE AND KEEP THEM FOR FUTURE REFERENCE. FOLLOW THE MANUFACTURER 'S INSTRUCTION.

## **WARNING**

- + The pram/stroller is intended for children from 6 months, up to maximum weight of 22 kg.
- + To avoid injury or death: always apply the brakes whenever the pram/stroller is stationary.
- + Do not leave children unattended.
- + Secure the child in the harness at all times.
- + Do not carry extra children or bags on this pram/stroller.
- + Make sure you and your child/children are clear of any moving parts if you adjust the pram/stroller. Otherwise they may be injured.
- + Seat usage is not recommended for a child under 6 months.
- + Use the teather strap to stop the pram/stroller from rolling away.
- + Do not use the seat with any other models of pram/stroller.
- + Never leave a harness buckled when not fitted to a child in the pram/stroller because the harness can form loops which may pose a strangulation hazard.
- + Be aware of finger entrapment when folding or unfolding the pram/stroller. Due care should be exercised.
- + Regularly inspect the pram/stroller, chassis and accessories regularly for signs of damage and tear.
- + Only use car seats, replacement or spare parts and accessories that are supplied or approved by Joolz. Using non-approved accessories is unsafe.
- + Care should be taken if the pram/stroller is used on stairs or escalators.
- + The pram/stroller should not be used near an open fire or exposed flame.
- + The maximum weight of the shopping basket is 5 kg.
- + The vehicle is designed for use on flat or gently sloping surfaces and may be unstable on higher sloping and uneven surfaces.
- + When used on higher sloping and uneven surfaces there is a possibility of the vehicle tipping over.
- + Make sure storage latch is engaged when lifting or carrying the stroller.
- + Use carry strap to safely transport folded stroller.
- + To use the tether strap stick your hand through the loop and wrap the strap around your wrist.
- + Make sure that the brake pedal is fully engaged when applying the brake.
- + The maximum weight of the backrest pocket is 2 kg/4.4 lbs.
- + Please note this product can unfold without using the activation bottom when shaken.



## MAINTENANCE/WASHING INSTRUCTIONS

Clean the fabric with lukewarm water and soap. Rinse with fresh water and leave to dry. Never use bleach or other chemical detergents. Periodically (approximately once a month) treat the wheels and metal parts with Teflon or silicon spray to ensure the pushchair continues to run smoothly.



The aluminium parts of your Aer buggy are coated to protect it from external influences such as corrosion. Coated aluminium parts are vulnerable to acidic cleaners or grease, which can cause stains and discoloration of the aluminium parts. We therefore advise you to clean the aluminium parts of your pushchair with warm water and a soft cloth.

## WARRANTY

Our goods come with guarantees that cannot be excluded under the Australian Consumer Law. You are entitled to a replacement or refund for a major failure and for compensation for any other reasonably foreseeable loss or damage. You are also entitled to have the goods repaired or replaced if the goods fail to be of acceptable quality and the failure does not amount to a major failure.

Joolz offers lifetime warranty on the Joolz Aer. The warranty covers all material and manufacturing faults, but not the exchange or return of the product. To be eligible for the lifetime warranty, all you have to do is register your Joolz buggy on [register.joolz.com](https://register.joolz.com) within six months of purchase and keep your original proof of purchase including a purchase date. If you do not register your Joolz buggy within six months after purchase, you will receive a two-year warranty.

The warranty is only valid if you supply the following items to your retailer along with the defective product:

- 1) Your warranty certificate,
- 2) Any form of personal identification,
- 3) A copy of the receipt of purchase (including a purchase date),
- 4) A detailed description of the defect.

You will receive the warranty certificate after you have registered your Joolz buggy on our website [register.joolz.com](https://register.joolz.com).

If your retailer cannot assist you with your complaint, contact Joolz. Please note, any repairs do not extend the warranty period.

## THE WARRANTY DOES NOT COVER:

- 1) Defects caused by ordinary wear and tear, such as worn wheels and fabrics by everyday use, scratches on the aluminium and/or metal and natural discolouration of materials over time or by not following the maintenance instructions.
- 2) Damage to wheels such as holes and tears.
- 3) Damage caused by accidents, improper use, negligence, fire, contact with liquids or another external cause.
- 4) Damage resulting from non-compliance with the instruction manual, instruction movies or other Joolz guidelines.
- 5) Damage caused by another product, including accessories.
- 6) Damage by service or repair by an unofficial representative of Joolz.
- 7) Theft.
- 8) Air transportation or freight damage.

Safety was an important consideration throughout the development of the Joolz Aer. Our products therefore meet the following safety standards:

Europe: EN 1888-2:2018

United States: ASTM F833-19

Canada: SOR/2016-167

Australia: AS/NZS 2088:2013

Please visit [joolz.com](https://joolz.com), [facebook.com/myjoolz](https://facebook.com/myjoolz) or contact your retailer for any questions and/or comments.

# DEUTSCH

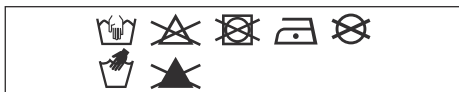
**WICHTIG:** BITTE LESEN SIE SICH DIESE ANWEISUNGEN VOR DER VERWENDUNG SORGFÄLTIG DURCH UND BEWAHREN SIE SIE FÜR REFERENZZWECKE AUF.

## **WARNUNG**

- + Dieser Sitz ist für Kinder ab 6 Monaten mit einem Höchstgewicht von 22 kg und einer maximalen Größe von 108 cm.
- + Diese Sitzeinheit ist nicht für Kinder unter 6 Monaten geeignet.
- + Dieses Produkt ist nicht zum Joggen oder Skaten geeignet.
- + Lassen Sie das Kind niemals unbeaufsichtigt.
- + Halten Sie Ihr Kind/Kinder beim Einstellen, Auseinander- oder Zusammenklappen dieses Produktes fern, um Verletzungen zu vermeiden.
- + Achten Sie darauf, dass Ihre Finger beim Zusammen- oder Auseinanderklappen des Buggys nicht eingeklemmt werden. Seien Sie dabei vorsichtig.
- + Vermeiden Sie schwere Verletzungen durch Herausfallen oder -rutschen. Verwenden Sie immer das Rückhaltesystem.
- + Stellen Sie vor der Verwendung sicher, dass alle Verriegelungen eingerastet sind.
- + Sorgen Sie dafür, dass die Sitz- oder Autositzeinheit ordnungsgemäß eingerastet ist, bevor ein Kind hineingesetzt wird.
- + Die Sitzeinheit ist nur mit dem Joolz Aer Gestell kompatibel und umgekehrt.
- + Jegliche Last am Schiebebügel und/oder der Rückseite der Rückenlehne und/oder an den Seiten des Wagens beeinträchtigt seine Stabilität.
- + Der Transport von Paketen oder Accessoires – oder beidem – an der Einheit kann den Wagen instabil machen. Schwere Gegenstände können zu gefährlicher Instabilität führen.
- + Der Sitz wurde für den Transport von einem Kind konzipiert.
- + Verwenden Sie ausschließlich Sitze, Autositze, Ersatzteile und Zubehör, die von Joolz bereitgestellt und werden.
- + Verwenden Sie kein(e) Kissen, Kuscheltuch oder zusätzliche Matratze als Polster, die nicht von Joolz bereitgestellt und werden.
- + Autositze, die in Kombination mit einem Gestell verwendet werden, können eine Wiege oder ein Bett nicht ersetzen. Wenn Ihr Kind schlafen muss, sollten Sie es entsprechend seinen Bedürfnissen in eine geeignete Wiege, ein geeignetes Bett oder einen zulässigen Schlafbereich legen.
- + Kontrollieren Sie das Gestell, die Sitzeinheit und die Accessoires des Kinderwagens regelmäßig auf Anzeichen von Beschädigung und Verschleiß.
- + Verwenden Sie den Kinderwagen nicht, wenn eines der Einzelteile beschädigt oder gerissen ist oder ganz fehlt.
- + Aktivieren Sie vor dem Zusammenklappen des Kinderwagens immer den Lenkstopp an den Vorderrädern, andernfalls können die Reifen verformt werden, insbesondere in warmen Umgebungen.
- + Wenn ein Kind hineingesetzt oder herausgenommen wird, sollten die Bremsen immer angezogen sein.
- + Der Einkaufskorb hat eine maximale Tragkraft von 5 kg.
- + Achten Sie darauf, dass kein Kind in den Kinderwagen klettert.
- + Lassen Sie das Kind/die Kinder nicht mit diesem Produkt spielen.
- + Achten Sie darauf, dass das Bremspedal vollkommen eingerastet ist, wenn Sie die Bremse betätigen.
- + Das Höchstgewicht der Tasche in der Rücklehne beträgt 2 kg/4,4 Pfund.

## PFLEGE- UND WASCHANLEITUNG

Reinigen Sie den Stoff mit lauwarmem Wasser und Seife. Spülen Sie ihn mit klarem Wasser aus und lassen Sie ihn trocknen. Verwenden Sie niemals Bleiche oder chemische Reinigungsmittel. Behandeln Sie die Räder und Metallteile regelmäßig (etwa einmal im Monat) mit Teflon- oder Silikonspray, um sicherzustellen, dass der Kinderwagen weiterhin reibungslos funktioniert.



Die Aluminiumteile des Aer Buggy sind beschichtet, um sie vor äußeren Einflüssen wie Korrosion zu schützen. Beschichtete Aluminiumteile reagieren empfindlich auf säurehaltige Reinigungsmittel oder Fett, die Flecken und Verfärbungen der Aluminiumteile verursachen können. Wir empfehlen deshalb, die Aluminiumteile des Kinderwagens mit warmem Wasser und einem weichen Tuch zu reinigen.

## GARANTIE

Joolz bietet eine lebenslange Garantie auf den Joolz Aer. Die Garantie umfasst alle Material- und Herstellungsfehler, nicht aber den Umtausch und die Rückgabe des Produktes. Für den Anspruch auf die lebenslange Garantie musst Du Deinen Joolz-Kinderwagen einfach innerhalb von sechs Monaten nach dem Kauf auf [register.joolz.com](https://register.joolz.com) registrieren und Deinen Originalkaufbeleg mit Kaufdatum aufbewahren. Wenn Du Deinen Joolz-Kinderwagen nicht innerhalb von sechs Monaten nach dem Kauf registrierst, erhältst Du eine zweijährige Garantie.

Die Garantie kann nur gewährleistet werden, wenn Folgendes zusammen mit dem defekten Produkt beim Händler vorgelegt wird:

- 1) Dein garantie-zertifikat,
- 2) Jede form einer persönlichen identifikation,
- 3) Eine kopie des kaufbelegs (einschließlich kaufdatum),
- 4) Eine detaillierte beschreibung des mangels.

Du erhältst das Garantie-zertifikat, nachdem Du Deinen Joolz-Kinderwagen auf unserer Website [register.joolz.com](https://register.joolz.com) registriert hast.

Wenn Dein Händler bei der Reklamation nicht weiterhelfen kann, wende Dich bitte an Joolz. Bitte beachte, dass Reparaturen den Garantiezeitraum nicht verlängern.

## DIE GARANTIE DECKT FOLGENDES NICHT AB:

- 1) Defekte, die durch gewöhnlichen Verschleiß verursacht werden, wie z. B. abgenutzte Räder und Stoffe bei alltäglichem Gebrauch, Kratzer auf dem Aluminium und/oder Metall und natürliche Verfärbung von Materialien im Laufe der Zeit oder bei Nichtbeachtung der Wartungsanweisungen.
- 2) Schäden an den Rädern, wie Löcher oder Risse.
- 3) Schäden durch Unfälle, unsachgemäßen Gebrauch, Fahrlässigkeit, Feuer, Kontakt mit Flüssigkeiten oder anderen äußeren Ursachen.
- 4) Schäden, die sich aus der Nichtbeachtung der Bedienungsanleitung, Anleitungsvideos oder anderer Joolz-Richtlinien ergeben.
- 5) Schäden, die durch ein anderes Produkt, einschließlich Accessoires, verursacht werden.
- 6) Schäden durch eine Wartung oder Reparatur durch einen inoffiziellen Vertreter von Joolz.
- 7) Diebstahl.
- 8) Lufttransport- oder Frachtschäden.

Sicherheit war ein wichtiger Aspekt beim gesamten Entwicklungsprozess des Joolz Aer. Unsere Produkte erfüllen daher folgende Sicherheitsstandards:

Europa: EN 1888-2:2018  
 USA: ASTM F833-19  
 Kanada: SOR/2016-167  
 Australien: AS/NZS 2088:2013

Bei Fragen und/oder Anmerkungen können Sie unsere Webseite [joolz.de](https://www.joolz.de) oder [facebook.com/myjoolz](https://facebook.com/myjoolz) besuchen, oder sich an Ihren Händler wenden.

# NEDERLANDS

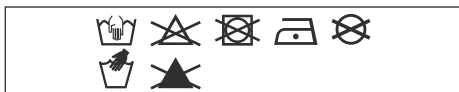
**BELANGRIJK:** NEEM DEZE AANWIJZINGEN VOOR GEBRUIK ZORGVULDIG DOOR EN BEWAAR ZE VOOR TOEKOMSTIG GEBRUIK.

## WAARSCHUWING

- + Dit stoeltje is bedoeld voor kinderen vanaf 6 maanden met een maximaal gewicht van 22 kg en een maximale lengte van 108 cm.
- + Het stoeltje is niet geschikt voor kinderen jonger dan 6 maanden.
- + Dit product is niet geschikt om mee te joggen of te rolschaatsen.
- + Laat het kind nooit achter zonder toezicht.
- + Voorkom letsel en houd kind(eren) uit de buurt tijdens het aanpassen en in- en uitklappen van dit product.
- + Let op dat vingers niet bekneld raken tijdens het in- of uitklappen van de wandelwagen/kinderwagen. Ga zorgvuldig te werk.
- + Voorkom ernstig letsel als gevolg van eruit vallen of glijden. Gebruik altijd de gordels.
- + Zorg dat alle sluitingen voor gebruik zijn vastgemaakt.
- + Controleer voor gebruik of het autostoeltje of de bevestigingsonderdelen op de juiste manier zijn bevestigd.
- + Het stoeltje past uitsluitend op het Joolz Aer onderstel en vice versa.
- + Gewicht dat aan de duwbeugel wordt bevestigd en/of aan de achterkant van de rugleuning en/of aan de zijkanten van het voertuig kan het voertuig uit evenwicht brengen.
- + De wagen kan onstabiel worden als er pakketjes of accessoires, of beide, aan de wagen worden bevestigd. Extra gewicht kan mogelijk leiden tot gevaarlijke onstabiele omstandigheden
- + Het stoeltje is geschikt voor het vervoer van één kind per keer.
- + Gebruik uitsluitend door Joolz goedgekeurde autostoeltjes, vervangende onderdelen of reserveonderdelen en accessoires.
- + Gebruik voor opvulling geen kussens, dekens, of extra matrassen die niet door Joolz zijn geleverd of goedgekeurd.
- + Een autostoeltje dat gebruikt wordt met een onderstel is geen vervanging voor een wieg of bed. Leg kinderen die willen slapen in een geschikt ledikantje, bed of goedgekeurd slaapgedeelte dat is aangepast aan de behoeften van het kind.
- + Controleer het onderstel van de kinderwagen, het stoeltje en de accessoires regelmatig op beschadigingen en slijtage.
- + Gebruik de kinderwagen niet als er onderdelen beschadigd, gescheurd of incompleet zijn.
- + De rem moet altijd worden geactiveerd bij het plaatsen en verwijderen van kinderen.
- + Het maximale gewicht van de boodschappenvak is 5 kg.
- + Zorg dat kinderen niet in de kinderwagen kunnen klimmen.
- + Laat kinderen niet met dit product spelen.
- + Zorg dat het rempedaal bij gebruik van de rem volledig wordt ingedrukt.
- + Het maximale gewicht voor het vak in de rugleuning is 2 kg.

## INSTRUCTIES VOOR ONDERHOUD/ REINIGING

Reinig de stof met lauw water en zeep. Spoel af met schoon water en laat drogen. Gebruik geen bleek of andere chemische reinigingsmiddelen. Behandel de wielen en de metalen onderdelen regelmatig (ongeveer een keer per maand) met Teflon of met siliconenspray, zodat de kinderwagen soepel blijft werken.



De aluminium onderdelen van de Aer kinderwagen zijn gecoat en zodoende beschermd tegen externe invloeden zoals corrosie. Gecoate aluminium onderdelen zijn slecht bestand tegen zure schoonmaakmiddelen, waardoor vlekken en verkleuringen kunnen ontstaan. Wij raden dan ook aan om de aluminium onderdelen van de inderwagen te reinigen met warm water en een zachte doek.

## GARANTIE

Joolz biedt levenslange garantie op de Joolz Aer. Alle materiaal- en fabricagefouten worden gedekt door de garantie, maar dit geldt niet voor het ruilen of terugbrengen van het product. In aanmerking komen voor de levenslange garantie? Registreer je kinderwagen binnen zes maanden op [register.joolz.com](https://register.joolz.com) en bewaar het originele aankoopbewijs met de aankoopdatum. Indien je jouw Joolz kinderwagen niet registreert binnen zes maanden na aankoop, dan krijg je standaard een garantie van twee jaar.

De garantie is alleen geldig als het defecte product bij de winkelier wordt afgeleverd samen met het volgende:

- 1) Je garantiecertificaat,
- 2) Een legitimatiebewijs,
- 3) Een kopie van het aankoopbewijs (met aankoopdatum),
- 4) Een uitgebreide beschrijving van het mankement.

Het garantiecertificaat krijg je nadat je jouw Joolz kinderwagen hebt geregistreerd op de website [register.joolz.com](https://register.joolz.com).

Neem contact op met Joolz, als je winkelier je niet kan helpen met je klacht. Let op: de garantieperiode wordt niet verlengd als er reparaties moeten worden uitgevoerd.

## HET VOLGENDE WORDT NIET GEDEKT DOOR DE GARANTIE:

- 1) Gebreken die worden veroorzaakt door gewone slijtage, zoals wielen en stoffen die versleten raken door alledaags gebruik, krassen op het aluminium en/of metaal en de natuurlijke verkleuring van materialen die na verloop van tijd ontstaat, of door het niet opvolgen van de onderhoudsvorschriften.
- 2) Schade aan wielen, zoals gaten en scheuren.
- 3) Schade door ongelukken, oneigenlijk gebruik, nalatigheid, vuur, contact met vloeistoffen of een andere externe oorzaak.
- 4) Schade als gevolg van het niet opvolgen van de gebruiksaanwijzing, instructiefilms of andere richtlijnen van Joolz.
- 5) Schade door toedoen van een ander product, inclusief accessoires.
- 6) Schade door service of reparatie door iemand die geen officiële vertegenwoordiger is van Joolz.
- 7) Diefstal.
- 8) Luchttransport of vrachtschade.

Tijdens het ontwikkelen van de Joolz Aer is veel aandacht besteed aan veiligheid. Onze producten voldoen derhalve aan de volgende veiligheidsstandaarden:

Europa: EN 1888-2:2018  
Verenigde Staten: ASTM F833-19  
Canada: SOR/2016-167  
Australië: AS/NZS 2088:2013

Vragen of opmerkingen? Ga naar [joolz.com](https://joolz.com), [facebook.com/myjoolz](https://facebook.com/myjoolz) of neem contact op met je winkelier.

# FRANÇAIS

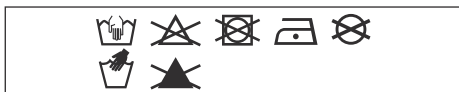
**IMPORTANT:** VEUILLEZ LIRE ATTENTIVEMENT CES INSTRUCTIONS AVANT D'UTILISER LA POUSSETTE ET CONSERVEZ-LES POUR FUTURE RÉFÉRENCE.

## **AVERTISSEMENT**

- + Le siège est destiné aux enfants d'au moins 6 mois, jusqu'à un poids maximum de 22 kg et une taille maximum de 108 cm.
- + Ce siège ne convient pas aux enfants de moins de 6 mois.
- + Ce produit ne convient pas pour faire du jogging ou des promenades en rollers.
- + Ne laissez jamais votre enfant sans surveillance.
- + Afin d'éviter toute blessure, assurez-vous de maintenir votre enfant/vos enfants à l'écart lorsque vous réglez, pliez et dépliez ce produit.
- + Attention de ne pas vous coincer les doigts lorsque vous pliez ou dépliez la poussette. Manipulez toujours ce produit avec les précautions qui s'imposent.
- + Évitez les blessures graves que peuvent entraîner les chutes ou les glissades. Utilisez toujours le système d'attache.
- + Vérifiez que tous les dispositifs de verrouillage sont correctement enclenchés avant l'utilisation.
- + Vérifiez que les dispositifs de fixation de la partie siège ou du siège auto sont correctement enclenchés avant l'utilisation.
- + Le siège n'est compatible qu'avec le châssis Joolz Aer et inversement.
- + Toute charge fixée au guidon et/ou à l'arrière du dossier et/ou sur les côtés du produit affectera sa stabilité.
- + Les paquets et/ou les accessoires placés sur le produit sont susceptibles d'affecter sa stabilité. Un poids excessif peut entraîner des conditions instables et dangereuses.
- + Le siège ne peut transporter qu'un seul enfant à la fois.
- + N'utilisez que des sièges auto, des pièces de rechange et des accessoires fournis ou approuvés par Joolz.
- + N'utilisez pas de coussin, de couverture ou de matelas supplémentaire non fournis ou approuvés par Joolz.
- + Les sièges auto utilisés en conjonction avec un châssis ne constituent pas un berceau ou un lit adéquat. Si votre enfant a besoin de dormir, il doit être installé dans un berceau, un lit ou autre endroit approprié à cet usage et aux besoins de votre enfant.
- + Vérifiez régulièrement le châssis, le siège et les accessoires de la poussette afin de détecter d'éventuels signes de détérioration ou d'usure.
- + N'utilisez pas la poussette si l'une des pièces est endommagée, usée ou manquante
- + Verrouillez toujours les roues pivotantes à l'avant lorsque vous pliez la poussette. Le non-respect de cette consigne peut entraîner la déformation des pneus, surtout dans un environnement chaud.
- + Les freins devraient toujours être engagés lorsque vous installez votre enfant dans la poussette ou l'en sortez.
- + Le poids maximum du panier est de 5 kg.
- + Ne laissez jamais votre enfant grimper tout seul dans la poussette.
- + Ne laissez pas votre enfant/vos enfants jouer avec ce produit.
- + Veillez à enfoncer complètement la pédale de frein lorsque vous actionnez le frein.
- + La pochette du dossier peut contenir 2 kg maximum.

## CONSIGNES D'ENTRETIEN/DE NETTOYAGE

Nettoyez la housse à l'eau tiède et au savon. Rincez à l'eau froide et laissez sécher. N'utilisez jamais d'eau de javel ni d'autres détergents chimiques. Traitez régulièrement (environ une fois par mois) les roues et pièces métalliques avec un spray de Téflon ou de silicone pour que la poussette continue à rouler correctement.



Les pièces en aluminium de votre poussette Joolz Aer sont vernies pour les protéger des éléments externes, tels que la corrosion. Les pièces en aluminium verni sont sensibles aux nettoyants acides ou aux graisses, qui peuvent provoquer des taches et une décoloration des pièces en aluminium. Nous vous conseillons donc de nettoyer les pièces en aluminium de votre poussette à l'eau chaude et avec un chiffon doux.

## GARANTIE

Joolz offre une garantie à vie sur la Joolz Aer. Cette garantie couvre tous les défauts de matériel et de fabrication, mais pas l'échange ou le retour du produit. Pour bénéficier de la garantie à vie, il vous suffit d'enregistrer votre poussette Joolz sur [register.joolz.com](https://register.joolz.com) au cours des six mois suivant son achat et de conserver votre reçu d'origine où figure la date d'achat. Si vous n'enregistrez pas votre poussette Joolz dans les six mois suivant son achat, vous bénéficierez d'une garantie de deux ans.

La garantie n'est valable que si vous présentez les éléments suivants à votre revendeur en même temps que le produit défectueux:

- 1) Votre certificat de garantie,
- 2) Une pièce d'identité,
- 3) Une copie de la preuve d'achat (précisant la date d'achat),
- 4) Une description détaillée du défaut.

Vous recevrez le certificat après avoir enregistré votre poussette Joolz sur notre site Internet [register.joolz.com](https://register.joolz.com).

Si votre revendeur ne peut répondre à votre demande, contactez Joolz. Veuillez noter que les réparations ne prolongent pas la période de garantie.

## LA GARANTIE NE COUVRE PAS:

- 1) Les défauts causés par l'usure normale, comme l'usure des roues et des tissus liée à l'usage quotidien, les rayures sur l'aluminium et/ou le métal et la décoloration naturelle des matériaux dans le temps, ni les dégâts dus au non-respect des instructions d'entretien.
- 2) Les dégâts subis par les roues, tels que trous et déchirures.
- 3) Les dégâts causés par des accidents, une mauvaise utilisation, la négligence, le feu, le contact avec des liquides ou toute autre cause externe.
- 4) Les dégâts résultant du non-respect des consignes du mode d'emploi, des vidéos explicatives ou d'autres directives de Joolz.
- 5) Les dégâts causés par un autre produit, y compris les accessoires.
- 6) Les dégâts consécutifs à un entretien ou une réparation effectués par un représentant non officiel de Joolz.
- 7) Le vol.
- 8) Les dégâts subis pendant le transport aérien ou ordinaire.

Nous avons donné priorité à la sécurité tout au long du développement de la poussette Joolz Aer. Nos produits sont conformes aux normes de sécurité suivantes:

Europe: EN 1888-2:2018  
 États-Unis: ASTM F833-19  
 Canada: SOR/2016-167  
 Australie: AS/NZS 2088:2013

Veuillez consulter [joolz.com](https://joolz.com), [facebook.com/myjoolz](https://facebook.com/myjoolz) ou contacter votre revendeur pour toute question et/ou commentaire.

# ESPAÑOL

**IMPORTANTE:** LEE ESTAS INSTRUCCIONES CUIDADOSAMENTE ANTES DE USAR Y GUÁRDALAS PARA CONSULTAS FUTURAS.

## **ADVERTENCIA**

- + Esta sillita está diseñada para niños mayores de 6 meses, con un peso máximo de hasta 22 kg/50 lbs, y con una altura máxima de 108 cm/42,5 in.
- + La sillita no está diseñada para niños menores de 6 meses.
- + Este producto no es adecuado para correr o patinar.
- + Nunca deje a su niño solo sin supervisión.
- + Para evitar que se produzcan lesiones, asegúrate de que los niños están alejados al ajustar, desplegar y plegar este producto.
- + Ten cuidado de no pillarte los dedos al plegar o desplegar el carrito/cochecito. Ten mucho cuidado.
- + Evita que se produzcan lesiones graves por caídas o deslizamientos. Utiliza siempre el sistema de retención.
- + Comprueba que todos los dispositivos de bloqueo están activados antes del uso.
- + Comprueba antes de utilizar el producto que los dispositivos de conexión de la sillita o asiento de coche están bien colocados antes de usarlos.
- + El asiento de coche sólo es compatible con el chasis del Joolz Aer y viceversa.
- + Todas las cargas colocadas en el manillar y/o en la parte trasera del respaldo y/o en los lados del vehículo afectan a su estabilidad.
- + Los paquetes, accesorios, o ambos colocados en la sillita pueden afectar a su estabilidad. Un peso excesivo puede causar una inestabilidad peligrosa.
- + La sillita solo puede transportar un niño a la vez.
- + Utiliza únicamente sillitas de coche, piezas de repuesto y accesorios suministrados o aprobados por Joolz.
- + No utilices como acolchado ninguna almohada, edredón o colchón adicional no suministrados o aprobados por Joolz.
- + Los asientos de coche usados en combinación con un chasis no sustituyen a un capazo o a una cama. Si el niño necesita dormir, debe ponerse en una cuna, cama o lugar para dormir adecuados, según sus necesidades.
- + Revisa el chasis del carrito, el asiento y los accesorios regularmente para detectar signos de daños y desgaste.
- + No utilices el carrito si falta alguna pieza o si hay partes dañadas o rotas.
- + Bloquea siempre las ruedas giratorias delanteras antes de plegar el carrito. De lo contrario, puede producirse deformación en los neumáticos, especialmente en entornos calurosos.
- + Pon siempre el freno al meter o sacar el niño del carrito.
- + El peso máximo para la cesta de la compra es de 5 kg/11 lbs.
- + No permitas que el niño se suba encima del carrito.
- + No permitas que los niños jueguen con este producto.
- + Asegúrese de que el pedal de freno esté totalmente engranado al aplicar el freno.
- + El peso máximo del bolsillo del respaldo es 2 kg/4,4 lb.



## INSTRUCCIONES DE MANTENIMIENTO/LAVADO

Limpia el tejido con agua templada y jabón. Aclara el tejido con agua limpia y deja secar al aire. No utilices lejía ni otros detergentes abrasivos. Trata las ruedas y las otras piezas metálicas periódicamente (una vez al mes aprox.) con spray de silicona o teflón para garantizar un funcionamiento correcto del carrito.



Las piezas de aluminio de tu carrito Aer están revestidas para protegerlas de influencias externas, tales como la corrosión. Las piezas con revestimiento de aluminio son vulnerables a la grasa y los detergentes ácidos, lo que puede provocar manchas y decoloración de esas piezas. Por lo tanto, te recomendamos limpiar las piezas de aluminio del carrito con agua templada y un paño suave.

## GARANTÍA

Joolz ofrece garantía de por vida en el Joolz Aer. La garantía cubre todos los defectos de materiales y fabricación, pero no el cambio o la devolución del producto. Para ser elegible para la garantía de por vida, todo lo que tienes que hacer es registrar tu carrito de Joolz en [register.joolz.com](https://register.joolz.com) dentro de los seis meses posteriores a la compra y conservar tu comprobante de compra original, incluida la fecha de compra. Si no registras tu carrito Joolz en los seis meses posteriores a la compra, recibirás una garantía de dos años.

La garantía solo es válida si entrega los artículos siguientes a su distribuidor junto con el producto defectuoso:

- 1) Tu certificado de garantía,
- 2) Cualquier forma de identificación personal,
- 2) Una copia del recibo de la compra (incluida una fecha de compra),
- 3) Una descripción detallada del defecto.

Recibirás el certificado de garantía después de que hayas registrado tu silla de paseo Joolz en nuestro sitio web [register.joolz.com](https://register.joolz.com).

Si tu vendedor no puede ayudarte con tu queja, comunícate con Joolz. Ten en cuenta que las reparaciones no extienden el período de garantía.

## LA GARANTÍA NO CUBRE:

- 1) Defectos causados por el uso y desgaste normal, tales como llantas y tejidos desgastados por el uso diario, arañazos en el aluminio y/ o metal y decoloración natural de los materiales con el tiempo o al no seguir las instrucciones de mantenimiento.
- 2) Daño a las ruedas, como agujeros y desgarros.
- 3) Daño causado por accidentes, uso indebido, negligencia, incendio, contacto con líquidos u otra causa externa.
- 4) Daños resultantes del incumplimiento del manual de instrucciones, videos de instrucciones u otras pautas de Joolz.
- 5) Daño causado por otro producto, incluidos los accesorios.
- 6) Daño por servicio o reparación por un representante no oficial de Joolz.
- 7) Robo.
- 8) Transporte aéreo o daños de transporte.

La seguridad ha sido un elemento clave durante el desarrollo del carrito Joolz Aer. Por lo tanto, nuestros productos cumplen con las siguientes normas de seguridad:

Europa: EN 1888-2:2018  
 Estados Unidos: ASTM F833-19  
 Canadá: SOR/2016-167  
 Australia: AS/NZS 2088:2013

Visita [joolz.com](https://joolz.com), [facebook.com/myjoolz](https://facebook.com/myjoolz) o ponte en contacto con tu distribuidor si tienes alguna duda o comentario.

# PORTUGUÊS

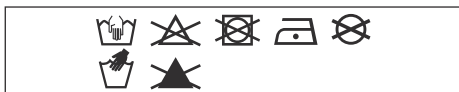
**IMPORTANTE:** LEIA ATENTAMENTE ESTAS INSTRUÇÕES ANTES DA UTILIZAÇÃO E GUARDE-AS PARA CONSULTA FUTURA.

## AVISO

- + A cadeira destina-se a bebês a partir dos 6 meses até ao peso máximo de 22 kg/50 lbs e à altura máxima de 108 cm/42,5 in.
- + Esta cadeira não é adequada para bebês com menos de 6 meses.
- + Este produto não é adequado para ser utilizado enquanto corre ou anda de patins.
- + Nunca deixe o bebê sem supervisão.
- + Para evitar ferimentos, certifique-se de que o(s) bebê(s) se mantém(êm) afastado(s) quando desdobrar e dobrar este produto.
- + Tenha cuidado para não entalar os dedos ao dobrar ou desdobrar o carrinho de passeio. Deverá tomar as devidas precauções.
- + Evite ferimentos graves devido a queda ou deslizamento. Utilize sempre o sistema de imobilização.
- + Certifique-se de que todos os dispositivos de bloqueio estão engatados antes da utilização.
- + Verifique se os dispositivos de fixação da cadeira ou cadeiras auto estão corretamente engatados antes da utilização.
- + A cadeira só é compatível com o chassis Joolz Aer e vice-versa.
- + Qualquer carga presa aos punhos e/ou à parte de trás do encosto e/ou nas laterais do veículo afetará a estabilidade do mesmo.
- + Os objetos ou acessórios, ou ambos, se colocados na cadeira, podem torná-la instável. O excesso de peso pode provocar uma condição de instabilidade perigosa.
- + A cadeira só pode transportar uma criança de cada vez.
- + Utilize apenas cadeiras, peças de substituição e acessórios aprovados pela Joolz.
- + Não use nenhum travesseiro, cobertor, ou colchão adicional para preenchimento que não sejam fornecidos ou aprovados pela Joolz.
- + As cadeiras auto usadas em conjunto com um chassis não substituem um berço ou uma cama. Se o seu filho precisar de dormir, deve ser colocado num berço ou numa cama adequados ou numa área de dormir aprovada com base nas necessidades do seu filho.
- + Verifique o chassis do carrinho, a cadeira e os acessórios regularmente para detetar sinais de danos e desgaste.
- + Não utilize o carrinho se alguma das peças estiver danificada, rasgada ou em falta.
- + Aplique sempre o bloqueio das rodas giratórias dianteiras quando dobrar o carrinho. Se não o fizer, poderá deformar os pneus, especialmente num ambiente quente.
- + Os travões devem estar sempre engatados quando colocar e retirar o bebê.
- + O peso máximo do cesto de compras é de 5 kg/11 lbs.
- + Certifique-se de que os bebês não sobem para o carrinho de bebê.
- + Não deixe a(s) criança(s) brincar com este produto.
- + Ao travar, certifique-se de que o pedal do travão é acionado completamente.
- + O peso máximo da bolsa do apoio dorsal é de 2 kg/4,4 lbs.

## INSTRUÇÕES MANUTENÇÃO/ LAVAGEM

Limpe o tecido com água morna e sabão. Passe por água limpa e deixe secar. Nunca utilize lixívia ou outros detergentes químicos. Periodicamente (aproximadamente uma vez por mês), aplique um spray de Teflon ou à base de silicone nas rodas e peças de metal para garantir que o carrinho continua a mover-se om facilidade.



As peças de alumínio do carrinho Aer são anodizadas para o proteger de influências externas tais como a corrosão. As peças de alumínio anodizado são vulneráveis a produtos de limpeza ácidos ou lubrificantes, que podem causar manchas e descoloração nas peças de alumínio. Recomendamos que limpe as peças de alumínio do carrinho com água morna e um pano macio.

## GARANTIA

A Joolz oferece garantia vitalícia para o Joolz Aer. A garantia cobre todos os defeitos de material e de fabrico, mas não a troca ou a devolução do produto. Para ser elegível para a garantia vitalícia, basta registar o seu carrinho Joolz em [register.joolz.com](http://register.joolz.com), no prazo de seis meses após a compra, e guardar a prova de compra original com indicação da data da compra. Se não registar o seu carrinho Joolz no prazo de seis meses após a compra, receberá uma garantia de dois anos.

A garantia é válida apenas se fornecer os seguintes itens ao seu revendedor juntamente com o produto defeituoso:

- 1) O certificado de garantia,
- 2) Qualquer forma de identificação pessoal,
- 3) Uma cópia do talão de compra (incluindo a data da compra),
- 4) Uma descrição detalhada do defeito.

Receberá o certificado de garantia depois de registar o seu carrinho Joolz no nosso website [register.joolz.com](http://register.joolz.com).

Se o seu revendedor não conseguir ajudar com a sua reclamação, contacte a Joolz. Tenha em atenção que quaisquer reparações efetuadas não prolongam o período de garantia.

## A GARANTIA NÃO COBRE:

- 1) Defeitos causados por desgaste normal como, por exemplo, rodas e tecidos gastos pelo uso diário, riscos no alumínio e/ou metal, descoloração natural dos materiais ao longo do tempo ou não cumprimento das instruções de manutenção.
- 2) Danos nas rodas como, por exemplo, furos e rasgões.
- 3) Danos causados por acidentes, utilização inadequada, negligência, incêndio, contacto com líquidos ou outra causa externa.
- 4) Danos resultantes do não cumprimento do manual de instruções, filmes de instruções ou outras linhas de orientação da Joolz.
- 5) Danos causados por outro produto, incluindo acessórios.
- 6) Danos decorrentes de uma assistência ou reparação realizada por um representante não oficial da Joolz.
- 7) Roubo.
- 8) Danos decorrentes de transporte aéreo ou frete.

A segurança foi uma consideração importante ao longo do desenvolvimento do Joolz Aer. Como tal, os nossos produtos cumprem as seguintes normas de segurança:

Europa: EN 1888-2:2018  
Estados Unidos: ASTM F833-19  
Canadá: SOR/2016-167  
Austrália: AS/NZS 2088:2013

Consulte [joolz.com](http://joolz.com), [facebook.com/myjoolz](https://facebook.com/myjoolz) ou contacte o seu revendedor se tiver dúvidas e/ou comentários.

# ITALIANO

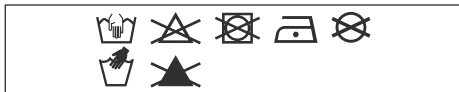
**IMPORTANTE:** SI PREGA DI LEGGERE QUESTE ISTRUZIONI ATTENTAMENTE PRIMA DELL'USO E DI CUSTODIRLE PER OGNI EVENIENZA.

## **AVVERTENZA**

- + Questa seduta è destinata a bambini dai 6 mesi d'età in su, con un peso massimo di 22 kg e un'altezza massima di 108 cm.
- + La seduta non è adatta a bambini di età inferiore ai 6 mesi.
- + Questo prodotto non è idoneo per correre o pattinare.
- + Non lasciare mai il bambino incustodito.
- + Per evitare lesioni, assicurarsi di tenere a distanza i bambini mentre si regola, apre e chiude questo prodotto.
- + La chiusura o l'apertura del passeggino può causare lo schiacciamento delle dita: prestare attenzione.
- + Evitare lesioni gravi impedendo che cada o scivoli fuori. Utilizzare sempre il sistema di ritenuta.
- + Accertarsi che tutti i dispositivi di bloccaggio siano inseriti prima dell'uso.
- + Prima dell'uso, verificare che i dispositivi di fissaggio per sedute o seggiolini per auto siano correttamente inseriti.
- + La seduta è compatibile solo con il telaio di Joolz Aer e viceversa.
- + Qualsiasi carico fissato alla barra di spinta e/o al retro dello schienale e/o ai lati dell'unità ne influenzerà la stabilità.
- + Pacchi, accessori o entrambi posizionati sull'unità potrebbero renderla instabile. Un peso eccessivo può causare una pericolosa condizione di instabilità.
- + La seduta può trasportare un solo un bambino alla volta.
- + Utilizzare esclusivamente seggiolini per auto, parti di ricambio e accessori approvati da Joolz.
- + Non utilizzare cuscini, coperte o materassini aggiuntivi per imbottitura che non siano forniti o approvati da Joolz.
- + Seggiolini per auto utilizzati unitamente a un telaio non sostituiscono una culla o un lettino. Se il bambino ha bisogno di dormire, utilizzare una culla, lettino o area idonea in base alle necessità del bambino.
- + Verificare regolarmente che il telaio del passeggino, la seduta e gli accessori per verificare che non presentino segni di danni e rottura.
- + Non usare il passeggino se vi sono parti danneggiate, lacerate o mancanti.
- + Utilizzare sempre il blocco di rotazione sulle ruote anteriori quando si chiude il passeggino. In caso contrario si rischia di deformare gli pneumatici, soprattutto in ambienti caldi.
- + Bloccare sempre i freni quando si fanno accomodare o rimuovono i bambini.
- + Il peso massimo supportato dal cestello della spesa ammonta a 5 kg.
- + Accertarsi che i bambini non si arrampichino sul passeggino.
- + Non permettere ai bambini di giocare con questo prodotto.
- + Prima di frenare, accertarsi che il pedale del freno sia completamente innestato.
- + Il peso massimo consentito nella tasca sullo schienale è 2 kg.

## ISTRUZIONI PER LA MANUTENZIONE/LAVAGGIO

Lavare il tessuto con acqua tiepida e sapone. Sciacquare con acqua fresca e lasciare asciugare. Non usare mai candeggina o altri detergenti chimici. Periodicamente (circa una volta al mese) trattare le ruote e le parti metalliche con spray al Teflon o al silicio per assicurarsi che il passeggino continui a funzionare senza problemi.



Le parti in alluminio del passeggino Aer sono anodizzate per proteggerle da fattori esterni come la corrosione. Le parti in alluminio anodizzato sono vulnerabili ai detergenti acidi e ai grassi, che possono causare macchie e scolorimento su di esse. Pertanto si consiglia di pulire le parti in alluminio del passeggino con acqua calda e un panno morbido.

## GARANZIA

Joolz offre una garanzia a vita sul Joolz Aer. La garanzia copre difetti di materiale e di fabbricazione, ma non la sostituzione o la restituzione del prodotto. Per poter usufruire della garanzia a vita non dovrai fare altro che registrare il tuo passeggino Joolz su [register.joolz.com](http://register.joolz.com) entro sei mesi dalla data di acquisto e conservare la prova di acquisto originale, completa di data di acquisto. Se non registri il tuo passeggino Joolz entro sei mesi dall'acquisto, riceverai una garanzia di due anni.

La garanzia vale solo se si forniscono i seguenti elementi al rivenditore, unitamente al prodotto difettoso:

- 1) Il certificato di garanzia;
- 2) Un qualsiasi documento di identità;
- 3) Una copia della ricevuta di acquisto (compresa la data di acquisto);
- 4) Una descrizione dettagliata del difetto.

Riceverai il certificato di garanzia a fronte della registrazione del tuo passeggino Joolz sul nostro sito web [register.joolz.com](http://register.joolz.com).

Se il rivenditore non ti può aiutare con il reclamo, contatta Joolz. Ti preghiamo di tenere presente che eventuali riparazioni non estendono il periodo di garanzia.

## LA GARANZIA NON COPRE:

- 1) Difetti causati dalla normale usura, come l'usura su ruote e tessuti causata dall'utilizzo quotidiano, graffi sull'alluminio e/o metallo e la decolorazione naturale dei materiali nel tempo o dovuta al mancato rispetto delle istruzioni per la manutenzione.
- 2) Danni a ruote, come forature o lacerazioni.
- 3) Danni causati da incidenti, uso improprio, negligenza, fuoco, contatto con liquidi o altre cause esterne.
- 4) Danni derivanti dal mancato rispetto delle istruzioni del manuale di istruzioni, dei filmati esplicativi o di altre linee guida Joolz.
- 5) Danni causati da un altro prodotto, compresi gli accessori.
- 6) Danni causati da interventi di manutenzione o riparazione eseguiti da un fornitore non ufficiale Joolz.
- 7) Furto.
- 8) Danni di trasporto, incluso il trasporto aereo..

La sicurezza è stata tenuta in grande considerazione durante lo sviluppo di Joolz Aer, pertanto i nostri prodotti soddisfano i seguenti standard di sicurezza:

Europa: EN 1888-2:2018  
Stati Uniti: ASTM F833-19  
Canada: SOR/2016-167  
Australia: AS/NZS 2088:2013

Visitare [joolz.com](http://joolz.com), [facebook.com/myjoolz](https://facebook.com/myjoolz) o contattare il proprio rivenditore per eventuali domande e/o commenti.

# SVENSKA

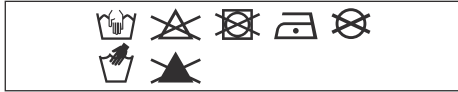
**VIKTIGT:** LÄS DENNA BRUKSANVISNING NOGA FÖRE ANVÄNDNING OCH SPARA DEN FÖR FRAMTIDA BRUK.

## **VARNING**

- + Sittdelen är avsedd för barn från 6 månader upp till en maxvikt på 22 kg/50 lbs och maxlängd på 108 cm/42,5 in.
- + Sittdelen är inte lämplig för barn under 6 månader.
- + Den här produkten är inte lämplig för löpning eller skridskoåkning.
- + Lämna aldrig barnet utan uppsikt.
- + För att undvika skador ska du se till att barn inte är i närheten vid justering samt upp- och nedfällning av denna produkt.
- + Det finns risk att fingrar inte kommer i kläm vid upp- och nedfällning av barnvagnen. Var försiktig.
- + Undvik allvarlig skador från fall eller barn som glider ur. Använd alltid fasthållningssystemet.
- + Se till att alla låsanordningar är på plats innan användning.
- + Kontrollera att fästnanordningar för sittdelar eller bilbarnstolar är korrekt påsatta innan användning.
- + Sittdelen är endast kompatibel med Joolz Aer chassi och tvärtom.
- + All last som fästs vid handtaget och/eller ryggstödsbaksida och/eller fordonets sidor kan påverka dess stabilitet.
- + Paket eller andra föremål som sätts på enheten kan göra att den blir instabil. Övervikt kan orsaka farliga och instabila lastförhållanden.
- + Sittdelen kan endast bära ett barn i taget.
- + Använd endast sittdelar, ersättande delar eller reservdelar och tillbehör som tillhandahålls eller är godkända av Joolz.
- + Använd inte kuddar, täcken eller tilläggs Madrasser för vaddering som inte tillhandahålls eller är godkända av Joolz.
- + Bilbarnstolar som används tillsammans med ett chassi ska inte ersätta en liggdel eller en säng. Om ditt barn behöver sova bör det placeras i en lämplig spjålsäng, säng eller godkänd liggdel enligt barnets behov.
- + Kontrollera barnvagnens chassi, sittdelen och tillbehören regelbundet för tecken på skador och slitage.
- + Använd inte vagnen om någon av delarna är skadade, trasiga eller saknas.
- + Lås alltid de främre hjulen innan du faller ihop barnvagnen. I annat fall kan däckerna fastna och deformeras, särskilt i en varm miljö.
- + Bromsarna ska alltid vara låsta när du lägger ner och tar upp barn.
- + Högsta tillåtna vikt för shoppingkorgen är 5 kg/11 lbs.
- + Se till att barnen inte klättrar in i vagnen.
- + Låt inte barn leka med den här produkten.
- + Kontrollera att bromspedalen är fullständigt nedtrampad när du använder bromsen.
- + Maxstödet för ryggstödsfacket är 2 kg/4.4 lbs.

## UNDERHÅLL/TVÄTRÅD

Rengör textilierna med ljummet vatten och tvål. Skölj i rent vatten och låt torka. Använd aldrig blekmedel eller andra kemiska rengöringsmedel. Behandla hjul och metalldelar regelbundet (ungefär en gång i månaden) med Teflon- eller silikonspray så att barnvagnen fortsätter att rulla smidigt.



Aluminiumdelarna på din Aer barnvagn är ytbehandlade för att vara skyddade från yttre påverkan såsom rost. Ytbehandlade aluminiumdelar är känsliga för sura rengöringsmedel eller fett, som kan orsaka fläckar och missfärgningar på aluminiumdelarna. Vi rekommenderar därför att du rengör aluminiumdelarna på din barnvagn med varmt vatten och en mjuk trasa.

## GARANTI

Joolz erbjuder en livstidsgaranti för Joolz Aer. Garantin täcker alla material- och tillverkningsfel, men inte byte eller retur av produkten. Allt du behöver göra för att vara berättigad för livstidsgarantin är att registrera din Joolz-barnvagn på [register.joolz.com](https://register.joolz.com) inom sex månader från inköpet och behålla ditt inköpsbevis med inköpsdatum. Om du inte registrerar din Joolz-barnvagn inom sex månader från inköpet kommer du att erhålla en tvåårig garanti.

Garantin gäller endast om du tar med följande objekt till din återförsäljare, tillsammans med den defekta produkten:

- 1) Ditt garanticertifikat,
- 2) Någon form av personlig identifikation,
- 3) En kopia av inköpskvittot (inklusive inköpsdatum),
- 4) En detaljerad beskrivning av felet.

Du får garanticertifikatet när du har registrerat din Joolz-barnvagn på vår hemsida [register.joolz.com](https://register.joolz.com).

Om din återförsäljare inte kan hjälpa dig med ditt klagomål, kontakta Joolz. Observera att, eventuella reparationer inte förlänger garantitiden.

## GARANTIN OMFATTAR INTE:

- 1) Defekter som orsakats av normalt slitage, som slitage på hjul eller textilier efter daglig användning, repor på aluminium- och/eller metalldelar samt normal missfärgning av material efter en tid eller genom att inte följa underhållsanvisningarna.
- 2) Skador på hjul t.ex. hål och slitage.
- 3) Skador som uppstått på grund av olycka, felaktig användning, misskötsel, brand, kontakt med vätskor eller andra externa orsaker.
- 4) Skador som uppstått på grund av underlåtenhet att följa bruksanvisningen, instruktionsfilmerna eller andra riktlinjer från Joolz.
- 5) Skador som orsakats av en annan produkt inklusive tillbehör.
- 6) Skador som uppstått genom service eller reparation av någon som inte är en behörig representant för Joolz.
- 7) Stöld.
- 8) Skador vid flygtransport eller frakt.

Säkerhet har varit en viktig faktor i hela utvecklingsprocessen för Joolz Aer. Våra produkter uppfyller därför följande säkerhetsstandarder:

Europa: EN 1888-2:2018

USA: ASTM F833-19

Kanada: SOR/2016-167

Australien: AS/NZS 2088:2013

Besök gärna [joolz.com](https://joolz.com), [facebook.com/myjoolz](https://facebook.com/myjoolz) eller kontakta in återförsäljare vid eventuella frågor och/eller kommentarer.

# NORSK

**VIKTIG:** VENNLIGST LES DISSE BRUKSANVISNINGENE NØYE FØR BRUK OG OPPBEVAR DEM FOR FREMTIDIG REFERANSE.

## **ADVARSEL**

- + Denne sittedelen er beregnet for barn fra 6 måneder og opp til en maksimal vekt på 22 kg/50 lbs en maksimal høyde på 108 cm/42,5 in.
- + Denne sittedelen er ikke egnet for barn under 6 måneder.
- + Dette produktet er ikke egnet for løping eller bruk med skøyter.
- + Forlat aldri barnet uten tilsyn.
- + For å unngå personskade, sørg for at barnet/ barna holdes borte når du justerer, folder ut og folder sammen dette produktet.
- + Vær obs på fare for å fange fingrene når du bretter barnevognen/ sportsvognen. Det bør utvises forsiktighet.
- + Unngå alvorlige personskader fra å falle eller skli ut. Bruk alltid sikkerhetsbeltene.
- + Før bruk, forsikre deg om at alle låseenheter er på plass.
- + Kontroller at sittedelen eller festeanordningene for bilstolen er riktig festet før bruk.
- + Sittedelene er kun kompatible med Joolz Aer understellet og omvendt.
- + Enhver type last festet til håndtaket og/ eller på baksiden av ryggstøtten og/ eller på sidene av vognen vil påvirke vognens stabilitet.
- + Pakker eller andre gjenstander, eller begge deler, som plasseres på enheten, kan påvirke stabiliteten. Overdreven vekt kan forårsake farlige, ustabile forhold.
- + Sittedelen kan kun bære ett barn om gangen.
- + Bruk kun bilstoler, utskiftings- eller reservedeler og tilbehør som leveres eller er godkjent av Joolz.
- + Ikke bruk ekstra puter, kosedyr eller madrasser for polstring, som ikke leveres eller er godkjent av Joolz.
- + Bilstoler som brukes i kombinasjon med et understell, erstatter ikke en babyseng eller en seng. Skulle barnet ditt trenge å sove, bør det plasseres i en egnet babyseng, seng eller et godkjent soveområde basert på barnets behov.
- + Kontroller barnevognens understell, sittedel og tilbehør regelmessig for tegn på skade og slitasje.
- + Ikke bruk barnevognen dersom noen av delene er skadet, revnet eller mangler.
- + Tilsett alltid svivellåsen på forhjulene før barnevognen foldes sammen. Unnlattelse av å gjøre dette kan resultere i deformasjon av dekkene, særlig i varme omgivelser.
- + Bremsene skal alltid være aktivert når du plasserer og fjerner barna.
- + Den maksimale vekten for varekurven er 5 kg/11 lbs.
- + Sørg for at barne ikke klatrer inn i barnevognen.
- + Ikke la barn leke med dette produktet.
- + Sørg for at bremsepedalen er fullstendig tilkoblet når du bruker bremsen.
- + Maksimalvekt i oppbevaringslommen på ryggstøtten er 2 kg / 4,4 lbs.



## VEDLIKEHOLDS-/ VASKEANVISNINGER

Rengjør stoffet med lunkent vann og såpe. Skyll med rent vann og la tørke. Bruk aldri blekemiddel eller andre kjemiske rengjøringsmidler. Behandle hjulene og metalldelene med teflon- eller silikonspray med jevne mellomrom (ca. en gang i måneden), for å sikre at barnevognen fortsetter å rulle friksjonsfritt.



Aluminiumsdelene til Joolz Aer barnevognen er anodisert for å beskytte de mot ytre påvirkninger som korrosjon. Aluminiumsdelene med belegg er følsomme for sure rengjøringsmidler eller fett, noe som kan forårsake flekker og misfarging av aluminiumsdelene. Vi råder deg derfor til å rengjøre aluminiumsdelene på barnevognen din med varmt vann og en myk klut.

## GARANTI

Joolz tilbyr livstidsgaranti på Joolz Aer. Garantien dekker alle material- og produksjonsfeil, men ikke bytte eller retur av produktet. For å være kvalifisert for livstidsgarantien, trenger du kun å registrere din Joolz barnestol på [register.joolz.com](https://register.joolz.com) innen seks måneder etter kjøpet og beholde ditt opprinnelige kjøpsbevis, inkludert kjøpsdatoen. Hvis du ikke registrerer din Joolz barnevogn innen seks måneder av kjøpet, vil du motta en to års garanti.

Garantien er bare gyldig dersom du leverer følgende elementer til forhandleren sammen med det defekte produktet:

- 1) Ditt garantibevis,
- 2) Noen form for personlig identifikasjon,
- 3) En kopi av kvitteringen for kjøpet (inkludert en kjøpsdato),
- 4) En detaljert beskrivelse av feilen.

Du vil motta garantibeiset etter at du har registrert din Joolz barnevogn på nettsiden [register.joolz.com](https://register.joolz.com).

Hvis din forhandler ikke kan hjelpe deg med klagen din, ta kontakt med Joolz. Merk at eventuelle reparasjoner ikke forlenger garantiperioden.

## GARANTIEN DEKKER IKKE:

- 1) Feil som skyldes vanlig slitasje, som slitte hjul og tekstiler ved daglig bruk, riper på aluminium og/eller metall og naturlig misfarging av materialer over tid eller ved å ikke følge vedlikeholdsinstruksjonene.
- 2) Skader på hjul som hull og flenger.
- 3) Skade forårsaket av ulykker, feilaktig bruk, uaktsomhet, brann, kontakt med væsker eller andre eksterne årsaker.
- 4) Skade som resulterer fra manglende overholdelse av bruksanvisningen, instruksjonsfilmer eller andre retningslinjer fra Joolz.
- 5) Skade forårsaket av et annet produkt, inkludert tilbehør.
- 6) Skade ved service eller reparasjon av en uoffisiell representant for Joolz.
- 7) Tyveri.
- 8) Skade under flytransport eller frakt.

Sikkerhet var en viktig faktor under utviklingen av Joolz Aer. Våre produkter er oppfyller derfor følgende sikkerhetsstandarder:

Europa: EN 1888-2:2018

USA: ASTM F833-19

Canada: SOR/2016-167

Australia: AS/NZS2088:2013

Besøk [joolz.com](https://joolz.com), [facebook.com/myjoolz](https://facebook.com/myjoolz) eller ta kontakt med forhandleren din for spørsmål og/eller kommentarer.

# РУССКИЙ

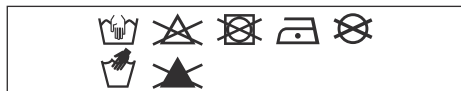
**ВАЖНО:** ВНИМАТЕЛЬНО ПРОЧИТАЙТЕ ДАННУЮ ИНСТРУКЦИЮ ПЕРЕД ИСПОЛЬЗОВАНИЕМ ИЗДЕЛИЯ, И СОХРАНИТЕ ЕЕ ДЛЯ ДАЛЬНЕЙШЕГО ИСПОЛЬЗОВАНИЯ.

## ПРЕДУПРЕЖДЕНИЕ

- + Данное сиденье предназначено для детей в возрасте старше 6 месяцев, с максимальным весом до 22 кг/50 фунтов и максимальным ростом 108 см/42,5 дюйма.
- + Данное сиденье не подходит для детей в возрасте до 6 месяцев.
- + Не используйте данное изделие во время бега или катания на коньках.
- + Никогда не оставляйте ребенка без присмотра.
- + Во избежание травм при регулировке, раскладывании и складывании изделия убедитесь в том, что ребенок (дети) не находится вблизи него.
- + При складывании или раскладывании многофункциональной детской коляски/прогулочной детской коляски соблюдайте осторожность, чтобы не зажало пальцы. Проявляйте должную осторожность.
- + Не допускайте серьезного травмирования ребенка вследствие его падения или выскальзывания из коляски. Всегда используйте систему фиксации.
- + Перед использованием изделия убедитесь, что все блокировочные устройства задействованы.
- + Перед использованием убедитесь, что крепежные приспособления сиденья или автокресла правильно закреплены.
- + Данное сиденье совместимо только с шасси прогулочной коляски Joolz Aer.
- + Любой груз, прикрепленный к ручьятке и (или) к задней части спинки, и (или) по бокам коляски, будет влиять на ее устойчивость.
- + Помещенные на изделие вещи, дополнительные принадлежности или и то и другое могут сделать изделие неустойчивым. Излишний вес может создать опасные неустойчивые условия.
- + В сидении можно одновременно переносить только одного ребенка.
- + Используйте только те автокресла, сменные или запасные части и принадлежности, которые поставляются или одобрены компанией Joolz.
- + Не используйте для подкладывания подушку, одеяло или дополнительный матрас, которые не поставляются или не одобрены компанией Joolz.
- + Автокресла, которые используются в сочетании с шасси, не могут заменить собой люльку или кровать. Если вашему ребенку нужно поспать, его следует поместить в подходящую детскую кроватку, кровать или надлежащую спальную зону, оборудованную в соответствии с потребностями вашего ребенка.
- + Регулярно проверяйте шасси коляски, сиденье и принадлежности на наличие признаков повреждения и износа.
- + Не используйте коляску, если какая-либо из ее частей повреждена, изношена или отсутствует.
- + Перед складыванием коляски всегда применяйте поворотный замок для передних колес. Несоблюдение этого правила может привести к деформации шин, особенно в условиях жаркого климата.
- + Когда вы кладете ребенка в коляску или вынимаете его из нее, обязательно фиксируйте колеса тормозом.
- + Максимальный вес корзины для покупок составляет 5 кг/11 фунтов.
- + Следите за тем, чтобы дети не залезали в коляску.
- + Не позволяйте ребенку (детям) играть с изделием.
- + При применении тормоза убедитесь, что педаль тормоза полностью нажата.
- + Максимальная нагрузка для заднего кармана составляет 2 кг.

## ИНСТРУКЦИИ ПО ТЕХНИЧЕСКОМУ ОБСЛУЖИВАНИЮ/ОЧИСТКЕ

Ткань необходимо очищать теплой водой с мылом. Ополосните чистой водой и оставьте до полного высыхания. Никогда не используйте отбеливатель или другие химические моющие средства. Периодически (примерно раз в месяц) обрабатывайте колеса и металлические детали тефлоновой или силиконовой смазкой для увеличения срока службы коляски.



Алюминиевые детали коляски Aerg имеют защитное покрытие от внешних воздействий, таких как коррозия. Не рекомендуется проводить обработку алюминиевых деталей с защитным покрытием кислотными моющими средствами или смазкой, так как это может привести к появлению пятен и изменению их цвета. Поэтому мы рекомендуем очищать алюминиевые детали коляски при помощи теплой воды и мягкой ткани.

## ГАРАНТИЯ

Joolz предлагает бессрочную гарантию на коляски коллекции Joolz Aerg. Гарантия распространяется на дефекты производства и материалов, а не на обмен или возврат изделия. Чтобы получить право на бессрочную гарантию, вам нужно всего лишь зарегистрировать свою коляску Joolz на сайте [register.joolz.com](https://register.joolz.com) в течение шести месяцев с момента покупки и сохранить подтверждение покупки с указанием ее даты. Если коляска Joolz не будет зарегистрирована в течение шести месяцев с момента покупки, вы получите двухгодичную гарантию.

Гарантия действительна, только если клиент предоставит поставщику вместе с неисправным изделием следующие документы:

- 1) Гарантийный сертификат,
- 2) Удостоверение личности,
- 3) Копию чека (с указанием даты покупки),
- 4) Подробное описание дефекта.

Вы получите гарантийный сертификат после того, как зарегистрируете свою коляску Joolz на нашем веб-сайте [register.joolz.com](https://register.joolz.com).

Если продавец не может помочь вам в решении вашего вопроса, обратитесь в компанию Joolz. Учтите, что ремонт не является основанием для продления гарантийного срока.

## ГАРАНТИЯ НЕ РАСПРОСТРАНЯЕТСЯ НА:

- 1) Дефекты, вызванные естественным износом, например стертые в ходе ежедневного использования колеса и потертую ткань, царапины на алюминии и (или) металле и естественное изменение цвета материалов с течением времени или в результате несоблюдения инструкций по техническому обслуживанию;
- 2) Повреждения колес, такие как дыры и разрывы;
- 3) Повреждения, вызванные авариями, ненадлежащим использованием, халатностью, огнем, контактом с жидкостями или другой внешней причиной;
- 4) Повреждения в результате несоблюдения руководства по эксплуатации, обучающих видеороликов или других инструкций joolz;
- 5) Повреждения, вызванные другим продуктом, в том числе принадлежностями;
- 6) Повреждения в результате сервисного обслуживания или ремонта у неофициального представителя joolz;
- 7) Кражу;
- 8) Повреждения, полученные при перевозке.

При разработке коляски Joolz Aerg безопасность всегда была приоритетной задачей. Поэтому наши продукты соответствуют следующим стандартам безопасности:

Европа: EN 1888-2:2018  
Соединенные Штаты: ASTM F833-19  
Канада: SOR/2016-167  
Австралия: AS/NZS 2088:2013

Посетите [joolz.com](https://joolz.com), [facebook.com/myjoolz](https://facebook.com/myjoolz) или обратитесь к продавцу для решения любых вопросов и (или) оставления комментариев.

# POLSKI

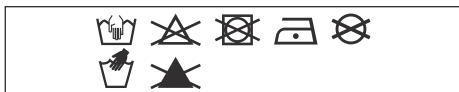
**WAŻNE:** ZAPOZNAJ SIĘ Z NINIEJSZĄ INSTRUKCJĄ I ZACHOWAJ JĄ W CELU UŻYCIA W PRZYSZŁOŚCI.

## OSTRZEŻENIE

- + Fotelik jest przeznaczony dla dzieci w wieku od 6 miesięcy, o wadze nieprzekraczającej 22 kg i maksymalnym wzroście 108 cm.
- + Fotelik nie jest odpowiednie dla dzieci w wieku poniżej 6 miesięcy.
- + Ten produkt nie jest odpowiedni do biegania ani do jazdy na rolkach.
- + Nigdy nie zostawiaj dziecka bez opieki.
- + Aby uniknąć obrażeń, należy upewnić się, że dziecko nie znajduje się w pobliżu produktu podczas jego składania i rozkładania.
- + Podczas składania lub rozkładania wózka spacerowego/gondolowego istnieje ryzyko zgniecenia palca. Należy zachować należyłą ostrożność.
- + Należy zapobiegać poważnym urazom mogącym wystąpić w wyniku wypadnięcia lub wyslizgnięcia. Zawsze należy używać systemu zabezpieczającego.
- + Przed rozpoczęciem użytkowania należy sprawdzić, czy wszystkie zamocowania zostały założone prawidłowo.
- + Przed użyciem należy sprawdzić, czy urządzenia mocujące gondole, siedziska lub foteliki samochodowe są odpowiednio zapięte.
- + Siedzisko pasuje wyłącznie do podwozia Joolz Aer i na odwrót.
- + Wszelkie obciążenie zamocowane do drążka i/lub z tyłu oparcia, i/lub po bokach wózka będą mieć wpływ na jego stabilność.
- + Paczki i/lub akcesoria zamocowane do wózka mogą spowodować jego utratę stabilności. Nadmierne obciążenie może spowodować niebezpieczną utratę stabilności.
- + Na siedzisku może znajdować się tylko jedno dziecko.
- + Należy używać wyłącznie fotelików samochodowych, części zamiennych i akcesoriów dostarczonych lub zatwierdzonych przez Joolz.
- + Nie używać żadnych poduszek, podkładek lub dodatkowych materacy, które nie zostały dostarczone lub zatwierdzone przez firmę Joolz.
- + Foteliki samochodowe używane z podwoziem nie zastępują gondoli lub łóżeczka. Jeżeli dziecko będzie spać, należy je położyć w odpowiednim łóżeczku, gondoli lub części zatwierdzonej do spania, w zależności od potrzeb dziecka.
- + Podwozie, siedzisko i akcesoria wózka należy regularnie sprawdzać pod kątem oznak zużycia lub uszkodzeń.
- + Nie należy używać wózka, jeżeli jakiegokolwiek jego części są uszkodzone, podarte lub zaginęły.
- + Składając wózek, należy zawsze zabezpieczać przednie koła blokadą obrotową. W przeciwnym razie opony kół mogą ulec odkształceniu, szczególnie w wysokich temperaturach.
- + Podczas wkładania lub wyjmowania dziecka z wózka należy zawsze zaciągnąć hamulce.
- + Maksymalny ciężar koszyka na zakupy wynosi 5 kg.
- + Upewnić się, że dziecko nie będzie się wspinać na wózek.
- + Dziecko nie powinno bawić się produktem.
- + Podczas blokowania hamulca upewnić się, że jego pedał został całkowicie wciśnięty.
- + Maksymalne obciążenie tylnej kieszeni wynosi 2 kg.

## INSTRUKCJA KONSERWACJI/ CZYSZCZENIA

Czyścić materiał letnią wodą z mydłem. Przepłukać czystą wodą i pozostawić do wyschnięcia. Nie wolno stosować wybielaczy ani innych chemicznych detergentów. Aby wózek poruszał się płynnie, okresowo (w przybliżeniu raz na miesiąc) smarować koła i metalowe części teflonem lub silikonem w sprayu.



Aluminiowe części wózka spacerowego Aer są malowane, co chroni je przed wpływem czynników zewnętrznych, np. korozją. Malowane części są podatne na działanie kwasowych środków czyszczących lub smaru, które mogą spowodować plamy i odbarwienie aluminiowych części. Z tego względu zalecamy czyszczenie aluminiowych części wózka ciepłą wodą z mydłem i miękką szmatką.

## GWARANCJA

Joolz udziela dożywniej gwarancji na wózek Joolz Aer. Gwarancja obejmuje naprawę wad materiałowych i produkcyjnych, jednak produkt nie podlega wymianie ani zwrotowi. Aby skorzystać z dożywniej gwarancji, wystarczy zarejestrować wózek spacerowy Joolz na stronie [register.joolz.com](http://register.joolz.com) w ciągu sześciu miesięcy od daty zakupu i zachować oryginalny dowód zakupu zawierający datę zakupu. Na wózki Joolz niezarejestrowane w ciągu sześciu miesięcy od daty zakupu udzielamy dwuletniej gwarancji.

Gwarancja jest ważna wyłącznie pod warunkiem przekazania sprzedawcy wraz z wadliwym produktem:

- 1) Świadectwa gwarancji,
- 2) Kopii dowolnego dokumentu tożsamości,
- 3) Kopii dowodu zakupu (zawierającego datę zakupu),
- 4) Szczegółowego opisu wady.

Świadectwo gwarancji otrzymuje się po zarejestrowaniu wózka Joolz na naszej stronie internetowej [register.joolz.com](http://register.joolz.com).

Jeżeli sprzedawca nie udzieli pomocy przy reklamacji, należy skontaktować się z Joolz. Zwracamy uwagę, że jakiegokolwiek naprawy nie skutkują przedłużeniem okresu gwarancji.

## GWARANCJA NIE OBEJMUJE:

- 1) Uszkożeń spowodowanych zwykłym zużyciem, takim jak zużycie kół i tkanin wynikające z codziennego użytkowania, rys na elementach aluminiowych i/lub metalowych oraz naturalnych odbarwień materiałów spowodowanych upływem czasu lub nieprzestrzeganiem instrukcji konserwacji;
- 2) Uszkożeń kół, takich jak dziury i rozdarcia;
- 3) Uszkożeń spowodowanych przez wypadki, nieprawidłowe użytkowanie, zaniedbanie, ogień, kontakt z płynami lub inne czynniki zewnętrzne;
- 4) Uszkożeń wynikających z niestosowania się do instrukcji obsługi, filmów instruktażowych lub innych wytycznych joolz;
- 5) Uszkożeń spowodowanych przez inny produkt, w tym akcesoria;
- 6) Uszkożeń spowodowanych przez naprawę w nieautoryzowanym serwisie joolz;
- 7) Kradzieży;
- 8) Transportu lotniczego lub uszkodzenia podczas transportu.

W całym procesie projektowania i produkcji wózka Joolz Aer przywiązywano najwyższą wagę do bezpieczeństwa. Dlatego nasze produkty spełniają wymagania następujących norm bezpieczeństwa:

Europa: EN 1888-2:2018  
Stany Zjednoczone: ASTM F833-19  
Kanada: SOR/2016-167  
Australia: AS/NZS 2088:2013

Aby uzyskać odpowiedzi na pytania lub przedstawić swoje uwagi odwiedź naszą stronę internetową [joolz.com](http://joolz.com), [facebook.com/myjoolz](https://facebook.com/myjoolz) lub skontaktuj się ze sprzedawcą produktu.

# УКРАЇНСЬКА

**ВАЖЛИВО:** УВАЖНО ПРОЧИТАЙТЕ ЦЮ ІНСТРУКЦІЮ ПЕРЕД ПОЧАТКОМ КОРИСТУВАННЯ ВИРОБОМ ТА ЗБЕРЕЖІТЬ ЇЇ ДЛЯ ПОДАЛЬШОГО ВИКОРИСТАННЯ.

## ПОПЕРЕДЖЕННЯ

- + Це сидіння призначене для дітей віком від 6 місяців, з максимальною вагою до 22 кг/50 фунтів і максимальним зростом 108 см/42,5 дюйма.
- + Це сидіння не підходить для дітей віком до 6 місяців.
- + Не використовуйте цей виріб під час бігу або катання на ковзанах.
- + Ніколи не залишайте свою дитину без нагляду.
- + Щоб уникнути травм при регулюванні, розкладанні і складанні виробу, переконайтеся в тому, що дитина (діти) не знаходиться поблизу нього.
- + При складанні або розкладанні багатофункціонального дитячого візка/прогулянкового дитячого візка дотримуйтеся обережності, щоб не затиснуло пальці. Слід дотримуватися належної обережності.
- + Не допускайте серйозних травм внаслідок випадання або вислизання дитини з візка. Завжди використовуйте систему фіксації.
- + Перед використанням переконайтеся, що всі запірні пристрої закріплені.
- + Перед використанням переконайтеся, що кріплення сидіння або автокрісла закріплені належним чином.
- + Дане сидіння сумісне тільки з шасі прогулянкового візка Joolz Aer.
- + Будь-який вантаж, прикріплений до рукоятки і (або) до задньої частини спинки і (або) з боків візка, буде впливати на його стійкість.
- + Розміщені на виробі речі, додаткові приладдя або, і те й інше можуть зробити виріб нестійким. Надмірна вага може створити небезпечні нестійкі умови.
- + У сидінні можна одночасно переносити тільки одну дитину.
- + Використовуйте тільки ті автокрісла, змінні або запасні частини та приладдя, які поставляються або схвалені компанією Joolz.
- + Не використовуйте для підкладання подушку, ковдру або додатковий матрац, які не поставляються або не схвалені компанією Joolz.
- + Автокрісла, які використовуються в поєднанні з шасі, не можуть замінити собою люльку або ліжко. Якщо вашій дитині потрібно поспати, її слід помістити в відповідне дитяче ліжечко, ліжко або належну спальну зону, обладнану відповідно до потреб вашої дитини.
- + Регулярно перевіряйте шасі візка, сидіння і приладдя на наявність ознак пошкодження і зносу.
- + Не використовуйте візок, якщо будь-яка з його частин пошкоджена, зношена або відсутня.
- + Перед складанням візка завжди застосовуйте поворотний замок для передніх коліс. Недотримання цього правила може призвести до деформації шин, особливо в умовах жаркого клімату.
- + Коли ви кладете дитину в візок або виймаєте її з нього, обов'язково фіксуйте колеса гальмом.
- + Максимальна вага кошика для покупок становить 5 кг/11 фунтів
- + Слідкуйте за тим, щоб діти не залазили в коляску.
- + Не дозволяйте дитині (дітям) грати з цим виробом.
- + При застосуванні гальма переконайтеся, що педаль гальма повністю натиснута.
- + Максимальна вага, яку можна покласти в карман на спинці, — 2 кг.

## ІНСТРУКЦІЇ З ТЕХНІЧНОГО ОБСЛУГОВУВАННЯ/ОЧИЩЕННЯ

Тканину необхідно очищати теплою водою з милом. Прополощіть чистою водою і залиште до повного висихання. Ніколи не використовуйте відбілювач або інші хімічні мийні засоби. Періодично (приблизно раз на місяць) обробляйте колеса і металеві деталі тефлоновою або силіконовою змазкою для забезпечення ривалої безвідмовної експлуатації візка.



Алюмінієві деталі візка Aer мають захисне покриття від зовнішніх впливів, таких як корозія. Не рекомендується проводити обробку алюмінієвих деталей із захисним покриттям кислотними миючими засобами або мастилом, так як це може привести до появи плям і зміни їх кольору. Тому ми рекомендуємо очищати алюмінієві деталі візка за допомогою теплої води і м'якої тканини.

### ГАРАНТІЯ

Компанія Joolz пропонує довічну гарантію на продукти Joolz Aer. Гарантія поширюється на всі матеріальні та виробничі дефекти, але не передбачає обмін або повернення продукту. Щоб отримати право на безстрокову гарантію, вам потрібно всього лише зареєструвати свій дитячий складаний візок Joolz на сайті [register.joolz.com](https://register.joolz.com) протягом шести місяців з моменту покупки і зберегти квитанцію, а що підтверджує покупку, із зазначенням її дати. Якщо ви не зареєструєте ваш дитячий складаний візок Joolz протягом шести місяців після покупки, ви отримаєте дворічну гарантію.

Ця гарантія дійсна лише у випадку, якщо ви надаєте продавцю наступні речі разом з дефектним продуктом:

- 1) Ваш гарантійний сертифікат;
- 2) Будь-який документ ідентифікації особи;
- 3) Копію квитанції про покупку (із зазначенням дати покупки);
- 4) Докладний опис дефекту.

Ви отримаєте гарантійний сертифікат після того, як зареєструєте ваш дитячий складаний візок Joolz на нашому веб-сайті [register.joolz.com](https://register.joolz.com). Ви отримаєте цей сертифікат після того, як зареєструєте свій складаний дитячий візок Joolz на нашому веб-сайті.

Якщо роздрібний продавець не може задовольнити вашу претензію, зверніться в компанію Joolz. Зверніть увагу, що будь-який ремонт не продовжує гарантійний термін.

### ГАРАНТІЯ НЕ ПОШИРЮЄТЬСЯ НА:

- 1) Дефекти, викликані природним зносом, наприклад, стиранням коліс і тканини в ході щоденного використання, подряпини на алюмінієвих та (або) металевих поверхнях, а також природне знебарвлення матеріалів з плином часу або в результаті недотримання інструкцій з технічного обслуговування.
- 2) Пошкодження коліс, такі як дірки і розриви.
- 3) Пошкодження, викликані аваріями, неналежним використанням, недбалістю, вогнем, контактом з рідинами або іншою зовнішньою причиною.
- 4) Пошкодження в результаті недотримання керівництва із експлуатації, навчальних відеороликів або інших інструкцій Joolz.
- 5) Пошкодження, викликані іншим продуктом, в тому числі аксесуарами.
- 6) Пошкодження в результаті сервісного обслуговування або ремонту у неофіційного представника Joolz.
- 7) Крадіжку.
- 8) Пошкодження, отримані під час перевезення повітряним або іншим транспортом.

При розробці візка Joolz Aer безпека завжди була пріоритетним завданням. Тому наші продукти відповідають таким стандартам безпеки:

Європа: EN 1888-2:2018  
Сполучені Штати: ASTM F833-19  
Канада: SOR/2016-167  
Австралія: AS/NZS 2088:2013

Відвідайте [joolz.com](https://joolz.com), [facebook.com/myjoolz](https://facebook.com/myjoolz) або зверніться до продавця для вирішення будь-яких питань і (або) залишення коментарів.

# EESTI

**TÄHTIS!** ENNE KASUTAMIST LUGEGE NEED SUUNISED HOOLIKALT LÄBI JA HOIDKE EDASPIDI KASUTAMISEKS ALLES.

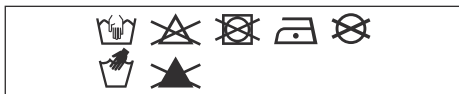
## HOIATUS

- + See iste on mõeldud lastele alates 6 elukuust maksimaalse kaaluga 22 kg/50 naela ja maksimaalse pikkusega 108 cm/42,5 tolli.
- + See iste ei sobi alla 6-kuustele lastele.
- + See toode ei sobi jooksmiseks või rulluisutamiseks.
- + Ärge jätke last kunagi järelevalveta.
- + Vigastuste vältimiseks veenduge, et laps/lapsed oleksid toote reguleerimise, lahtitõmbamise ja kokkupaneku ajal eemal.
- + Jälgige jalutuskäru lahtitõmbamise ja kokkupaneku ajal, et sõrmed ei jääks osade vahele. Olge piisavalt ettevaatlik.
- + Vältige väljakukkumisest või väljalibisemisest tingitud raskeid vigastusi. Kasutage alati kinnitussüsteemi.
- + Veenduge enne kasutamist, et kõik lukustusvahendid oleksid rakendatud.
- + Kontrollige enne kasutamist, kas istme või turvatooli kinnitusseadmed on korralikult kinnitatud.
- + See iste ühildub Joolz Aeri raamiga ja vastupidi.
- + Igasugune liikumisvahendi käepideme, seljatoe ja/või külje külge asetatud raskus mõjutab selle stabiilsust.
- + Tootele asetatud pakid, lisatarvikud või mõlemad koos võivad muuta toote ebastabiilseks. Liigne kaal võib põhjustada ohtlikult ebastabiilse olukorra.
- + Istmele tohib korraga panna ainult ühe lapse.
- + Kasutage ainult Joolzi tarnitud või soovitatud turvatoole, asendus- või varuosi ja tarvikuid.
- + Ärge kasutage pehmenuseks mingeid patju, tekke ega lisamadratsid, mis ei ole Joolzi poolt tarnitud ega heaks kiidetud.
- + Turvatool ei asenda jalutuskäru raamil kasutamisel kookonit ega korvi. Kui lapsel on uneaeg, tuleks ta panna sobivasse hälli, voodisse või sobivasse magamiskohta vastavalt teie lapse vajadustele.
- + Kontrollige korrapäraselt jalutuskäru raami, istet ja tarvikuid, et märgata kahjustuste ja rebenemise märke.
- + Ärge kasutage jalutuskäru, kui mõni selle osa on kahjustatud, rebenenud või puudu.
- + Enne jalutuskäru kokkupanemist tuleb alati esirattad pööratava luku abil lukustada. Muidu võite põhjustada rehvide deformeerumise, eriti soojas keskkonnas.
- + Lapse kärusse asetamisel ja sealt väljavõtmisel peavad pidurid olema alati peal.
- + Ostukorvi maksimaalne kaal on 5 kg/11 naela.
- + Hoolitsege selle eest, et lapsed ei roniks jalutuskärusse.
- + Ärge lubage lapsel/lastel selle tootega mängida.
- + Veenduge, et piduripedaal oleks piduri rakendamisel täielikult haardunud.
- + Seljatoe tasku maksimaalne kaal on 2 kg / 4,4 naela.



## HOOLDUS-/PESEMISJUHEND

Peske katteriit leige vee ja seebiga. Loputage puhta veega ja jätke kuivama. Ärge kasutage kunagi pleegiteid ega muid keemilisi puhastusvahendeid. Pihustage ratastele ja metallosadele korrapäraselt (umbes kord kuus) teflon- või silikoonpihust, et tagada jalutuskäru sujuv liikumine.



Teie Aeri jalutuskäru alumiiniumosad on töödeldud, et kaitsta neid välismõjude eest, nagu näiteks korrosioon. Happelised puhastusvahendid või määrdeid võivad töödeldud alumiiniumosi kahjustada, põhjustades plekkide teket ja värvimuutust. Seetõttu soovitame puhastada jalutuskäru alumiiniumosi sooja vee ja pehme lapiga.

## GARANTII

Joolz annab Joolz Aer toodetele eluaegse garantii. Garantii alla kuuluvad kõik materjali- ja tootmisvead, kuid garantii alla ei kuulu toote vahetamine ega tagastamine. Eluaegse garantii saamiseks registreerige Joolzist ostetud käru kuue kuu jooksul alates ostukuupäevast veebilehel [register.joolz.com](http://register.joolz.com) ja hoidke alles ostu tõendav originaaldokument, millel on ostukuupäev. Kui te ei registreeri Joolzist ostetud käru kuue kuu jooksul alates ostukuupäevast, tagatakse teie tootele kaheaastane garantii.

Garantii kehtib ainult juhul, kui annate edasimüüjale koos defektse tootega järgmised dokumendid:

- 1) Garantii tõend;
- 2) Isikut tõendav dokument;
- 3) Ostu tõendava dokumendi koopia (millel on ostukuupäev);
- 4) Defekti detailne kirjeldus.

Kui olete Joolzi käru registreerinud meie veebilehel [register.joolz.com](http://register.joolz.com), edastatakse teile garantii tõend.

Kui edasimüüja ei saa teid kaebuse juures aidata, võtke ühendust Joolziga. Pidage meeles, et toote parandamine ei pikenda garantiiperioodi.

## GARANTII EI KATA:

- 1) tavapärasest kulumisest tulenevaid defekte, näiteks igapäevase kasutamise tagajärjel kulunud rattad ja kangad, alumiiniumil ja/või metallil olevad kriimustused, materjalide loomulik pleekimine aja jooksul või hooldusjuhiste eiramine;
- 2) rataste kahjustused, nt augud ja rebendid;
- 3) kahjustused, mis on tingitud õnnetustest, valesti kasutamisest, hooletusest, tulest, kokkupuutest vedelikega või mõnest muust välisest põhjusest;
- 4) kahjustus, mis tuleneb juhendi nõuete, õppevideotes näidatud või muude Joolzi juhiste eiramisest;
- 5) mõne muu toote (k.a tarvikute) põhjustatud kahjustus;
- 6) Joolzi volitamata esindaja põhjustatud kahjustus toote hooldamisel või parandamisel;
- 7) vargus;
- 8) kahjustus õhutranspordil või vedamise ajal.

Ohutus on olnud kogu Joolz Aeri jalutuskäru arendusprotsessi oooksul väga oluline aspekt. Seetõttu vastavad meie tooted järgmistele ohutusstandarditele:

Euroopa: EN 1888-2:2018  
Ameerika Ühendriigid: ASTM F833-19  
Kanada: SOR/2016-167  
Austraalia: AS/NZS 2088:2013

Küsimuste ja/või kommentaaride korral külastage veebisaiti [joolz.com](http://joolz.com) või [facebook.com/myjoolz](https://www.facebook.com/myjoolz) või võtke ühendust edasimüüjaga.

# LATVIEŠU

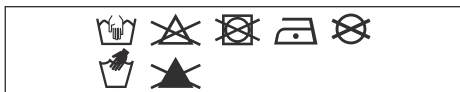
**SVARĪGI!** PIRMS IERĪCES LIETOŠANAS RŪPĪGI IZLASIET ŠIS INSTRUKCIJAS UN SAGLABĀJIET TĀS TURPMĀKAI UZZIŅAI.

## BRĪDINĀJUMS

- + Šis sēdekļis ir paredzēts bērniem, sākot no 6 mēnešu vecuma, ar svaru līdz 22 kg un maksimālo augumu līdz 108 cm.
- + Šis sēdekļa bloks nav piemērots bērniem, kas jaunāki par 6 mēnešiem.
- + Šis izstrādājums nav piemērots skriešanai vai slidošanai.
- + Nekad neatstājiet bērnu bez uzraudzības.
- + Lai izvairītos no traumām, nodrošiniet, lai šī izstrādājuma pielāgošanas, atlocīšanas un salocīšanas laikā bērns(-i) neatrastos tā tuvumā.
- + Salokot un atlokot ratiņus, raugieties, lai nenaspiestu pirkstus. Jābūt uzmanīgam.
- + Izvairieties no nopietnām traumām, ko izraisa kritiens vai izslīdēšana. Vienmēr izmantojiet ierobežotājsistēmu.
- + Pirms lietošanas pārliedziniet, vai visas fiksācijas ierīces ir saslēgtas.
- + Pirms lietošanas pārbaudiet, vai sēdekļa vai bērnu autosēdekļa bloka stiprinājuma ierīces ir pareizi saslēgtas.
- + Sēdekļa bloks ir saderīgs tikai ar Joolz Aer korpusu un otrādi.
- + Jebkurš ratiņu rokturim un/ vai muguras balstam un/vai sāniem piestiprinātais svars ietekmē ratiņu stabilitāti.
- + Novietojot uz ratiņiem saiņus vai citus piederumus, ratiņi var kļūt nestabili. Pārmērīgs svars var izraisīt bīstamu nestabilitāti.
- + Sēdekļa blokā var pārvadāt tikai vienu bērnu.
- + Izmantojiet tikai Joolz piegādātus vai apstiprinātus bērnu autosēdekļiņus, rezerves daļas un piederumus.
- + Iekļājiet tikai Joolz piegādātus vai apstiprinātus spilvenus, segas vai papildmatračus.
- + Autosēdekļiņi, ko izmanto kopā ar bērnu ratiņu rāmi, neaizstāj guļvietu vai gultu. Ja bērnam ir laiks gulēt, guldiet viņu piemērotā gultiņā, gultā vai apstiprinātā guļvietā atbilstoši bērna vajadzībām.
- + Regulāri pārbaudiet, vai ratiņu korpusam, sēdekļu blokam vai piederumiem nav bojājumu un nolietojuma pazīmju.
- + Neizmantojiet bērnu ratiņus, ja kāda to daļa ir bojāta, saplīsusi vai pazudusi.
- + Salokot bērnu ratiņus, priekšējiem riteniem vienmēr izmantojiet pagriežamo bloķētāju. Pretējā gadījumā var notikt riepu deformācija, it īpaši karstā vidē.
- + Ieliekot un izņemot bērnus, bremzēm vienmēr jābūt ieslēgtām.
- + Iepirkumu groza maksimālais svars ir 5 kg.
- + Nodrošiniet, lai bērni nekāptu ratiņos.
- + Neļaujiet bērnam(-iem) spēlēties ar šo izstrādājumu.
- + Izmantojot bremzes, pārliedziniet, vai bremžu pedālis ir pilnīgi iedarbināts.
- + Maksimālais atzveltņes kabatas svars ir 2 kg.

## INSTRUKCIJAS PAR APKOPI/ MAZGĀŠANU

Audumu tīriet ar remdenu ūdeni un ziepēm. Noskalojiet ar ūdeni un atstājiet nožūt. Nekad nelietojiet balinātāju vai itus ķīmiskus mazgāšanas līdzekļus. Rīteņus un metāla daļas regulāri (apmēram reizi mēnesī) apstrādājiet ar teflona vai silikona aerosolu, lai bērnu ratiņi pastāvīgi darbotos nevainojami.



Aer bērnu ratiņiem ir pārklājums aizsardzībai pret ārēju ietekmi, piemēram, koroziju. Pārklātas alumīnija daļas ir jutīgas pret skābu irīšanas līdzekļu vai smērvielu iedarbību, kas var veidot traipus uz alumīnija daļām un izraisīt to krāsas maiņu. Tāpēc bērnu ratiņu alumīnija daļas ieteicams tīrīt ar siltu ūdeni un mīkstu drānu.

## GARANTIJA

Joolz piedāvā Joolz Aer mūža garantiju. Garantija aptver visus materiālos un ražošanas defektus, bet ne izstrādājuma apmaiņu vai atgriešanu. Lai iegūtu tiesības uz mūža garantiju, atliek tikai reģistrēt savus Joolz bērnu ratiņus vietnē [register.joolz.com](http://register.joolz.com) sešu mēnešu laikā kopš iegādes un saglabāt oriģinālo pirkuma apliecinājumu, kas iekļauj pirkuma datumu. Ja Joolz bērnu ratiņus neesat reģistrējis sešu mēnešu laikā kopš iegādes, saņemsiet divu gadu garantiju.

Garantija ir spēkā tikai tad, ja kopā ar bojāto izstrādājumu tiek iesniegts:

- 1) Jūsu garantijas sertifikāts,
- 2) Jebkāda veida personas identifikācijas dokuments,
- 2) Pirkuma čeka kopija (iekļaujot pirkuma datumu),
- 3) Defekta detalizēts apraksts.

Jūs saņemsiet garantijas sertifikātu pēc savu Joolz bērnu ratiņu reģistrēšanas mūsu tīmekļa vietnē [register.joolz.com](http://register.joolz.com).

Ja mazumtirgotājs jūsu pretenzijas gadījumā nevar palīdzēt, sazinieties ar Joolz. Lūdzu, ņemiet vērā, ka neviens remonts nepārsniedz garantijas periodu.

## GARANTIJA NEATTIECAS UZ:

- 1) Parasta nolietojuma un nodiluma izraisītiem defektiem, piemēram, ikdienas lietošanā nodilušiem rīteņiem un audumu, skrāpējumiem uz alumīnija un/vai metāla un materiāla dabisko krāsas maiņu laika gaitā, vai defektiem, kas radušies apkopes instrukciju neievērošanas rezultātā.
- 2) Rīteņu bojājumiem, piemēram, caurumiem un plīsumiem.
- 3) Bojājumiem, ko izraisījuši negadījumi, nepareiza izmantošana, nevērība, degšana, saskare ar šķidrumiem vai cits ārējs cēlonis.
- 4) Bojājumiem, ko izraisījuši lietošanas pamācībā, instrukciju video vai citās Joolz vadlīnijās ietvertu norādījumu neievērošana.
- 5) Cita produkta, tostarp piederumu, izraisīti bojājumi.
- 6) Joolz neoficiāla pārstāvja veiktas apkopes vai remonta izraisīti bojājumi.
- 7) Zādzība.
- 8) Gaisa transporta vai kravu pārvadājumu izraisīti bojājumi.

Drošība ir svarīgs apsvērumš visā Joolz Aer bērnu ratiņu izstrādes laikā. Tāpēc mūsu produktu izstrādē ir ievēroti augstākie drošības standart:

Eiropas standarti: EN 1888-2:2018

Amerikas Savienoto Valstu standarti: ASTM F833-19

Kanādas standarti: SOR/2016-167

Austrālijas standarti: AS/NZS 2088:2013

Ja jums ir jautājumi un/vai komentāri, lūdzu, apmeklējiet vietni [joolz.com](http://joolz.com), [facebook.com/myjoolz](https://facebook.com/myjoolz) vai sazinieties ar mazumtirgotāju.

# LIETUVIŠKAI

**SVARBU:** PRIEŠ NAUDODAMI PRODUKTĄ ATIDŽIAI PERSKAITYKITE ŠIAS INSTRUKCIJAS IR IŠSAUGOKITE JAS ATEIČIAI.

## **ĮSPĖJIMAS**

- + Kėdutė skirta vaikams nuo 6 mėnesių amžiaus, kurių svoris neviršija 22 kg, o ūgis yra iki 108 cm.
- + Ši kėdutė netinka jaunesniems negu 6 mėnesių vaikams.
- + Gaminys netinka bėgimui ar čiuožimui.
- + Niekada nepalikite vaiko be priežiūros.
- + Kad išvengtumėte sužalojimo, įsitikinkite, kad kai sulankstote, išlankstote arba reguliuojate gaminį, šalia nėra vaiko/vaikų.
- + Sulankstydami/išlankstydami vežimėlį/vaikštynę, saugokitės, kad neprispaustumėte pirštų. Reikia būti atsargiems.
- + Saugokitės susižalojimų nukritus ar išslydus. Visada naudokite tvirtinimo sistemą.
- + Prieš pradėdami naudoti įsitikinkite, kad užfiksuoti visi fiksavimo prietaisai.
- + Prieš pradėdami naudoti patikrinkite, ar automobilio sėdynės ir kėdutės tvirtinimo elementai yra teisingai sujungti.
- + Kėdutė tinka tik „Joolz Aer montavimo rėmui ir atvirkščiai.
- + Bet koks svoris ant rankenos ir (arba) nugaros atlošo ir (arba) šonų gali daryti įtaką stabilumui.
- + Nešuliai arba priedai kartu ar atskirai uždėti ant gaminio gali pakenkti jo stabilumui. Per didelis svoris gali sukelti pavojingas situacijas, kai prarandamas stabilumas.
- + Kėdutėje vienu metu gali sėdėti tik vienas vaikas.
- + Naudokite tik „Joolz tiekiamas ir patvirtintas automobilio kėdutes, pakaitines dalis ir priedus.
- + Nenaudokite pagalvių, antklodžių ar papildomų čiužinukų, kurių nepatvirtino ir netiekia „Joolz.
- + Automobilio kėdutės, naudojamos kartu su rėmu, nepakeičia lopšio arba lovelės. Jei vaikui reikia miegoti, jį reikia guldyti į tinkamą lopšį, lovelę ar patvirtintą miegojimui skirtą vietą pagal vaiko poreikius.
- + Reguliariai tikrinkite vežimėlio rėmą, sėdynę ir priedus, ar ant jų nėra nusidėvėjimo ženklų.
- + Nenaudokite vežimėlio, jei pažeistos, suplėšytos jo dalys arba jų trūksta.
- + Kai lankstote vežimėlį, visada priekiniams ratukams naudokite pasukamąjį užraktą. Jei to nepadarysite, gali būti pažeistos padangos, kurios gali deformuotis, ypač esant aukštai temperatūrai.
- + Stabdžiai visada turėtų būti nuspausti, kai vaikas įdedamas arba išimamas.
- + Didžiausias pirkinų krepšio svoris yra 5 kg.
- + Įsitikinkite, kad vaikas negalėtų įlipti į vežimėlį.
- + Neleiskite vaikui/ vaikams žaisti su gaminiu.
- + Stabdydami, įsitikinkite, ar pilnai nuspaudėte stabdžio pedalą.
- + Didžiausias nugarinės dalies kišenės svoris – 2 kg / 4,4 lbs.

## PRIEŽIŪROS / PLOVIMO NURODYMAI

Audinį valykite drungnu vandeniu ir muilu. Išskalaukite švari vandeniu ir palikite išdžiūti. Niekada nenaudokite baliklio arba kitų cheminių ploviklių. Periodiškai (maždaug kartą per mėnesį) išpurškite ratukus ir metalines dalis teflono arba silikono purškalu, kad vežimėlis toliau riedėtų tolygiai.



Jūsų „Aer“ vežimėlio aliuminio dalys yra dengtos specialia danga, todėl yra apsaugotos nuo išorės poveikio, pavyzdžiui, rūdijimo. Dengtos aliuminio dalys yra jautrios rūgštiniams valikliams arba tepalams, kurie gali palikti dėmes arba pakeisti aliuminio dalių spalvą. Todėl patariame vežimėlio aliuminio dalis valyti šiltu vandeniu ir minkšta šluoste.

## GARANTIJA

„Joolz“ suteikia „Joolz Aer“ garantiją visam gyvenimui. Garantija taikoma visiems medžiagos ir gamybos brokams, bet ne produkto grąžinimui arba keitimui. Norėdami gauti šią garantiją, turite tiesiog priregistruoti savo „Joolz“ vežimėlį [register.joolz.com](http://register.joolz.com) per šešis mėnesius nuo įsigijimo bei išsaugoti originalų įsigijimo įrodymą su įsigijimo data. Jei nepriregistruosite „Joolz“ vežimėlio per šešis mėnesius nuo įsigijimo, vežimėliui bus taikoma dvejų metų garantija.

Garantija galioja tik tuo atveju, jei pardavėjui kartu su brokuotu produktu pateikiate toliau nurodytus dokumentus:

- 1) Savo garantijos pažymėjimą,
- 2) Bet kokį asmens tapatybės nustatymo dokumentą,
- 3) Pirkimo čekio kopiją (su nurodyta pirkimo data),
- 4) Išsamų broko aprašymą.

Garantijos pažymėjimą gausite, kai priregistruosite savo „Joolz“ vežimėlį mūsų svetainėje [register.joolz.com](http://register.joolz.com).

Jei pardavėjas negali padėti dėl skundo, susisiekite su „Joolz“. Atkreipkite dėmesį, kad taisymo darbai nepratęsia garantijos laikotarpio.

## GARANTIJA NETAIKOMA:

- 1) Defektams, kuriuos sukėlė įprastas nusidėvėjimas dėl kasdienio naudojimo, pavyzdžiui, nusidėvėjusiems ratukams ir audiniams, įbrėžimams ant aliuminio ir (arba) metalinių detalių bei medžiagų spalvos pasikeitimui dėl ilgalaikio naudojimo arba dėl naudojimo ne pagal nurodymus;
- 2) Ratukų pažeidimams, pavyzdžiui, jei jie praduriami arba suplyšta;
- 3) Pažeidimams, kuriuos lėmė nelaimingi atsitikimai, netinkamas naudojimas, aplaidumas, gaisras, kontaktas su kysčiais arba kita išorinė priežastis;
- 4) Pažeidimams, kuriuos lėmė naudotojo vadovo, nurodytų veiksmų arba kitų „joolz“ gairių nesilaikymas;
- 5) Pažeidimams, kuriuos sukėlė kitas produktas, įskaitant priedus;
- 6) Pažeidimams, kurie buvo sukelti ne įgalotojo „joolz“ atstovo vykdytuoju techninę priežiūrą arba remonto darbus;
- 7) Vagystei;
- 8) Pažeidimams, kuriuos sukėlė gabenimas oro arba sausumos transportu.

Kuriant „Joolz Aer“ buvo itin atsižvelgiama į saugumą. Todėl mūsų gaminiai atitinka šiuos saugos standartus:

Europos: EN 1888-2:2018

Jungtinių Amerikos Valstijų: ASTM F833-19

Kanados: SOR/2016-167

Australijos: AS/NZS 2088:2013

Aplankykite [joolz.com](http://joolz.com), [facebook.com/myjoolz](https://www.facebook.com/myjoolz) arba susisiekite su pardavėju, jei turite klausimų ir (arba) pastabų.

# SLOVENŠČINA

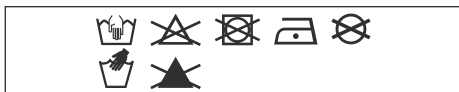
**POMEMBNO:** PRED UPORABO SKRIBNO PREBERITE NAVODILA IN JIH SHRANITE ZA NADALJNJO UPORABO.

## **OPOZORILO**

- + Ta sedež je namenjen otrokom, starejšim od 6 mesecev, do največje dovoljene teže 22 kg in največje višine 108 cm.
- + Ta sedež ni primeren za otroke, mlajše od 6 mesecev.
- + Ta izdelek ni primeren za tek ali kotalkanje.
- + Otroka nikoli ne pustite brez nadzora.
- + V izogib poškodbam zagotovite, da otrok/ otroci med prilagajanjem, sestavljanjem in razstavljanjem izdelka niso v bližini.
- + Med sestavljanjem ali razstavljanjem otroškega vozička bodite pozorni, da ne ukleščite prstov. Pri tem je potrebna previdnost.
- + Preprečite resne poškodbe, ki bi lahko nastale zaradi padca ali zdrsa iz izdelka. Vedno uporabljajte zadrževalni sistem.
- + Zagotovite, da so pred uporabo vključene vse zaporne naprave.
- + Pred uporabo preverite, ali so pritrdilne naprave za sedež ali avtomobilski sedež pravilno nameščene.
- + Sedež je združljiv samo z ogrođjem Joolz Aer in obratno.
- + Vsako breme, pritrjeno na potisni drog in/ ali na zadnjo stran naslona in/ ali na bočne strani vozila, bo vplivalo na štabilnost vozila.
- + Če na enoto naložite pakete, dodatke ali oboje, lahko ta postane nestabilna. Zaradi prekomerne teže lahko nastanejo nevarni nestabilni pogoji.
- + V sedežu lahko hkrati sedi samo en otrok.
- + Uporabljajte samo avtomobilske sedeže, nadomestne ali rezervne dele in dodatke, ki jih dobavlja ali odobri podjetje Joolz.
- + Za oblaženje ne uporabljajte nobene blazine, odejice ali dodatne vzmetnice, ki jih podjetje Joolz ne dobavlja ali odobri.
- + Avtomobilski sedeži, ki se uporabljajo v povezavi s ogrođjem, ne nadomeščajo posteljice ali postelje. Če bi vaš otrok moral spati, ga morate namestiti v primerno otroško posteljico, posteljo ali odobren spalni prostor glede na zahteve vašega otroka.
- + Ogrođje vozička, sedež in dodatke redno preverjajte, ali so na njih vidni znaki poškodb in obrabe.
- + Ne uporabljajte vozička, če so kateri koli deli poškodovani, raztrgani ali manjkajo.
- + Preden ga zložite, na sprednja kolesa vozička vedno namestite vrtljivo ključavnico. Če tega ne storite, lahko pride do deformacije pnevmatik, zlasti v vročem okolju.
- + Kadar polagate ali jemljete otroka iz vozička, vedno zategnite zavoro.
- + Največja teža nakupovalne košarice je 5 kg.
- + Poskrbite, da se otroci ne bodo vzpenjali na otroški voziček.
- + Ne pustite, da se otrok/otroci s tem izdelkom igrajo.
- + Pri uporabi zavore se prepričajte, da je zavorni pedal povsem pritisnjen.
- + Največja teža žepa na naslonu je 2 kg.

## NAVODILA ZA VZDRŽEVANJE/ PRANJE

Blago očistite z mlačno vodo in milom. Sperite s svežo vodo in počakajte, da se posuši. Nikoli ne uporabljajte belila ali drugih kemičnih detergentov. Redno (približno enkrat mesečno) očistite kolesa in kovinske dele s teflonskim ali silikonskim razpršilom, da zagotovite gladko delovanje vozička.



Aluminijasti deli otroškega vozička Aer so prevlečeni s prevleko, ki ščiti pred zunanjimi vplivi, kot je korozija. Prevlečeni aluminijasti deli so občutljivi na kislinska čistila ali mast, ki lahko povzročijo madeže in razbarvanje aluminijastih delov. Zato priporočamo, da aluminijaste dele otroškega vozička čistite s toplo vodo in mehko krpo.

## GARANCIJA

Joolz ponuja doživljenjsko garancijo za izdelek Joolz Aer. Garancija zajema vse stvarne in proizvodne napake, ne pa zamenjavo ali vračilo izdelka. Vse kar morate storiti, če želite biti upravičeni do doživljenjske garancije, je registrirati vaš voziček Joolz na [register.joolz.com](http://register.joolz.com) v roku šestih mesecev od nakupa in obdržati originalno dokazilo o nakupu, vključno z datumom nakupa. Če svojega vozička Joolz ne boste registrirali v šestih mesecih po nakupu, boste upravičeni do dvoletne garancije.

Garancija velja le v primeru, če skupaj z okvarjenim izdelkom dostavite prodajalcu tudi naslednje elemente:

- 1) Certifikat o garanciji,
- 2) Katero koli osebni dokument,
- 3) Kopijo potrdila o nakupu (vključno z datumom nakupa),
- 4) Podroben opis napake.

Potrdilo o garanciji boste prejeli po registraciji svojega vozička Joolz na naši spletni strani [register.joolz.com](http://register.joolz.com).

Če vam pri vaši pritožbi ne more pomagati prodajalec, se obrnite na podjetje Joolz. Upoštevajte, da kakršna koli popravila ne podaljšajo garancijskega obdobja.

## GARANCIJA NE KRIJE:

- 1) Napak, ki nastanejo pri običajni obrabi, npr. kolesa in tkanine, ki se obrabijo zaradi vsakodnevne uporabe, praske na aluminiju in/ali kovini ter naravno razbarvanje materialov, do česar pride sčasoma ali zaradi neupoštevanja navodil za vzdrževanje.
- 2) Poškodb koles, kot so npr. predrta oz. počena kolesa.
- 3) Poškodb, ki nastanejo zaradi nesreč, nepravilne uporabe, malomarnosti, ognja, stika s tekočinami ali drugega zunanjega vzroka.
- 4) Poškodb, ki nastanejo zaradi neupoštevanja navodil za uporabo, videoposnetkov z navodili ali drugih smernic podjetja Joolz.
- 5) Poškodb, ki nastanejo zaradi drugega izdelka, vključno z dodatno opremo.
- 6) Poškodb, ki nastanejo med servisiranjem ali izvajanjem popravila, ki ga opravi nepooblaščen predstavnik podjetja Joolz.
- 7) Kraje.
- 8) Poškodb, ki nastanejo med zračnim prevozom ali transportom blaga.

Pri razvijanju vozička Joolz Aer je bila varnost pomemben dejavnik. Naši izdelki zato izpolnjujejo naslednje varnostne standarde:

Evropa: EN 1888-2:2018

ZDA: ASTM F833-19

Kanada: SOR/2016-167

Avstralija: AS/NZS 2088:2013

Če imate kakršna koli vprašanja in/ali komentarje, obiščite spletno stran [joolz.com](http://joolz.com), facebook.com/myjoolz ali se obrnite na svojega prodajalca.

# HRVATSKI

**VAŽNO:** PAŽLJIVO PROČITAJTE OVE UPUTE PRIJE UPOTREBE I SAČUVAJTE IH ZA UBUDUĆE.

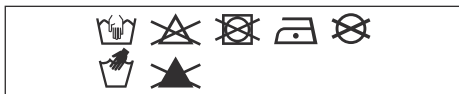
## **OPOZORILO**

- + Sjedalica je namijenjena djeci starijoj od 6 mjeseci maksimalne težine do 22 kg i maksimalne visine do 108 cm.
- + Sjedalica nije prikladna za djecu mlađu od 6 mjeseci.
- + Ovaj proizvod nije namijenjen trčanju ili klizanju.
- + Nikada ne ostavljajte dijete bez nadzora.
- + Da biste izbjegli ozljede, pobrinite se da prilikom prilagodbe, rasklapanja i sklapanja ovog proizvoda nema djece u blizini.
- + Imajte na umu da se prst može zaglaviti pri sklapanju ili rasklapanju kolica/kišobran kolica. Poduzmite sve mjere opreza.
- + Izbjegavajte ozbiljne ozljede uzrokovane padom ili ispadanjem. Uvijek koristite sustav pojasa.
- + Prije upotrebe provjerite jesu li svi uređaji za pričvršćivanje ispravno postavljeni.
- + Prije upotrebe provjerite jesu li sjedalica ili dodatni uređaji za automobilsku sjedalicu ispravno postavljeni.
- + Sjedalica je kompatibilna samo sa šasijom Joolz Aer i obrnuto.
- + Svaki predmet koji stavite na ručku i/ili na stražnji dio naslona i/ili na bočne strane vozila, utjecat će na stabilnost vozila.
- + Ako predmete ili pribor (ili oboje) stavite na proizvod, to može uzrokovati nestabilnost. Prekomjerna težina može uzrokovati štetne nestabilne uvjete.
- + U sjedalici može biti samo jedno dijete odjednom.
- + Koristite samo autosjedalice, zamjenske ili rezervne dijelove koje isporučuje ili odobrava Joolz.
- + Nemojte koristiti jastuke, poplune ili dodatne madrace koje Joolz nije isporučio ili odobrio.
- + Autosjedalice koje se koriste u kombinaciji sa šasijom nisu zamjena za krevetić ili kolijevku. Ako vaše dijete treba zaspati, stavite ga u odgovarajući krevetić, kolijevku ili područje za spavanje koje je prikladno za vaše dijete.
- + Redovito provjeravajte postoje li oštećenja ili znakovi trošenja na šasiji kolica, autosjedalici i dodatnoj opremi.
- + Ne koristite kolica ako su dijelovi oštećeni, razbijeni ili nedostaju.
- + Uvijek pritegnite kočnicu na prednjim kotačima prije sklapanja kolica. Ako to ne učinite, može doći do oštećenja guma, posebno u toplom okruženju.
- + Uvijek trebate pritisnuti kočnicu kad stavljate dijete u kolica ili ga vadite iz njih.
- + Maksimalna težina košare za kupnju je 5 kg.
- + Djeca se ne smiju penjati u kolica.
- + Ne dopustite djeci da se igraju ovim proizvodom.
- + Pri kočenju svakako do kraja pritisnite kočnicu.
- + Greutatea maximă a buzunarului spătarului este de 2 kg.



## UPUTE ZA ODRŽAVANJE/PRANJE

Operite tkaninu toplom vodom iz slavine i sapunom. Ispirajte vodom i ostavite da se suši. Nikada ne koristite izbjeljivač i druga kemijska sredstva za čišćenje. Povremeno (otprilike jednom mjesečno) podmažite kola i metalne dijelove tefonom ili silikonskim sprejem kako biste osigurali nesmetano funkcioniranje kolica.



Aluminijski dijelovi kolica Aer premazani su radi zaštite od vanjskih utjecaja, kao što je korozija. Premazani aluminijski dijelovi osjetljivi su na sredstva za čišćenje s kiselinom ili mast koja može uzrokovati mrlje i uništavanje boje na aluminijskim dijelovima. Stoga vam preporučujemo da aluminijske dijelove kolica čistite toplom vodom i mekanom krpom.

## JAMSTVO

Joolz nudi doživotno jamstvo na kolica Joolz Aer. Jamstvo pokriva sve materijalne i proizvođačke kvarove, ali ne i zamjenu ili povrat proizvoda. Da bi dječja kolica marke Joolz ispunjavala uvjete za doživotno jamstvo, trebate ih samo registrirati na adresi [register.joolz.com](http://register.joolz.com) u roku od šest mjeseci nakon kupnje i zadržati izvorni dokaz kupnje na kojem je vidljiv datum kupnje. Ako ne registrirate dječja kolica marke Joolz u roku od šest mjeseci od datuma kupnje, dobit ćete dvogodišnje jamstvo.

Jamstvo je važeće samo ako u trgovinu dostavite neispravan proizvod i sljedeće:

- 1) Jamstvenu karticu,
- 2) Osobni identifikacijski dokument,
- 3) Kopiju potvrde o kupnji (uključujući datum kupnje),
- 4) Detaljni opis kvara.

Potvrdu o jamstvu ćete dobiti kada registrirate svoja dječja kolica marke Joolz na našoj mrežnoj stranici [register.joolz.com](http://register.joolz.com).

Ako vam u trgovini ne mogu pomoći s pritužbom, obratite se Joolzu. Valja napomenuti da popravci ne produljuju razdoblje jamstva.

## NAŠE JAMSTVO NE POKRIVA SLJEDEĆE:

- 1) Neispravnosti uzrokovane uobičajenim trošenjem i habanjem, na primjer kotače i tkanine istrošene svakodnevnim upotrebom, ogrebotine na aluminiju i/ili metalu i prirodnu promjenu boje materijala prouzročenu vremenom ili nepridržavanjem uputa o održavanju.
- 2) Oštećenja kotača kao što su rupe i ogrebotine.
- 3) Oštećenja uzrokovana nesrećama, neispravnim upotrebom, nemarkom, požarom, kontaktom s tekućinama ili drugim vanjskim uzročnikom.
- 4) Oštećenja uzrokovana neusklađenosti s korisničkim priručnikom, videozapisima s uputama ili drugim Joolzovim smjernicama.
- 5) Oštećenja uzrokovana drugim proizvodom, uključujući dodatnu opremu.
- 6) Oštećenja uzrokovana uslugom ili popravkom koji je izvršio neslužbeni predstavnik tvrtke Joolz.
- 7) Krađa.
- 8) Oštećenja uzrokovana zračnim prijenosom/prijevozom.

Tijekom razvoja kolica Aer sigurnost je bila među najvažnijim stvarima. Stoga naši proizvodi ispunjavaju sljedeće sigurnosne norme:

Europa: EN 1888-2:2018

Sjedinjene Američke Države: ASTM F833-19

Kanada: SOR/2016-167

Australija: AS/NZS 2088:2013

Ako imate pitanja i/ili primjedbi, posjetite [joolz.com](http://joolz.com), [facebook.com/myjoolz](https://facebook.com/myjoolz) ili se obratite prodajnom predstavniku.

# ČEŠTINA

**DŮLEŽITÉ:** PŘED POUŽITÍM SI TYTO POKYNY POZORNĚ PROČTĚTE A USCHOVEJTE JE, ABYSTE DO NICH MOHLI POZDĚJI NAHLÍŽET.

## **VAROVÁNÍ**

- + Sedačka je určena pro děti od 6 měsíců až do maximální hmotnosti 22 kg/50 lbs a maximální výšky 108 cm/42,5 palce.
- + Tato sedačka není vhodná pro děti mladší 6 měsíců.
- + Tento výrobek není vhodný pro běhání nebo bruslení.
- + Nikdy dítě nenechávejte bez dozoru.
- + Aby nedošlo ke zranění při rozkládání a skládání tohoto výrobku, ujistěte se, že je vaše dítě/ jsou vaše děti v bezpečné vzdálenosti.
- + Při skládání nebo rozkládání sportovního kočárku/kočárku dávejte pozor na uvíznutí prstů. Je třeba dávat bedlivý pozor.
- + Dejte pozor na riziko vážného poranění v důsledku pádu nebo sklouznutí. Vždy používejte zádržný systém.
- + Před použitím se ujistěte, zda jsou všechny pojistné mechanismy správně zajištěny.
- + Před použitím zkontrolujte, zda jsou upevňovací mechanismy sedačky nebo autosedačky správně zapojeny.
- + Sedačka je kompatibilní pouze s kosterou Joolz Aer a naopak.
- + Jakákoliv zátěž upevněná na rukojeť a/nebo na zadní část zádové opěrky a/nebo na body vozíku mohou mít dopad na jeho stabilitu.
- + Balíčky nebo doplňkové položky, či obojí, umístěné na jednotce mohou způsobit nestabilitu jednotky. Nadměrná hmotnost může způsobit rizikové nestabilní podmínky.
- + V sedačce se smí přenášet současně pouze jedno dítě.
- + Používejte pouze autosedačky, náhradní či doplňkové díly a příslušenství, které dodala či schválila společnost Joolz.
- + Nepoužívejte žádné polštářky, šidítka či dodatečné matrace pro vypolstrování, které nedodala či neschválila společnost Joolz.
- + Autosedačky používané ve spojení s kosterou nenahrazují korbou nebo postýlku. Pokud vaše dítě potřebuje spát, je třeba ho umístit do vhodné kolébky, postýlky nebo schválené oblasti ke spaní podle potřeb vašeho dítěte.
- + Pravidelně kontrolujte známky poškození nebo opotřebení na kosterě kočárku, sedačce a příslušenství.
- + Tento kočárek nepoužívejte, pokud jsou některé z jeho částí poškozeny, natrženy nebo chybí.
- + Před složením kočárku vždy použijte zámek otočného čepu na předním kolečku. Pokud tak neučiníte, může dojít k deformacím pneumatik, a to zejména v horkém prostředí.
- + Při vkládání a vyndávání dětí je nutné vždy kočárek zabrzdít.
- + Maximální hmotnost nákupního košíku je 5 kg/11 lbs.
- + Zajistěte, aby dítě do kočárku nelezlo.
- + Nedovolte, aby si vaše dítě hrálo/děti hrály s tímto výrobkem.
- + Ujistěte se, že je při brzdění brzdový pedál plně sešlápnutý.
- + Maximální hmotnost kapsy zádové opěrky je 2 kg.

## POKYNY PRO ÚDRŽBU/ČIŠTĚNÍ

Látku čistěte vlažnou vodou a mýdlem. Opláchněte čerstvou vodou a nechte oschnout. Nikdy nepoužívejte bělidlo neb jiné chemické čisticí prostředky. Pravidelně (přibližně jednou za měsíc) ošetřete kola a kovové díly teflonovým nebo silikonovým sprejem k zajištění hladkého chodu kočárku.



Hliníkové díly vašeho kočárku Aer jsou eloxované, aby byly chráněny před vnějšími vlivy, jako například před korozí. Eloxované hliníkové díly jsou citlivé na kyselé čisticí prostředky nebo mastnotu, které mohou způsobit skvrny a změnu zabarvení hliníkových dílů. Proto doporučujeme čistit hliníkové části kočárku jemným hadříkem a teplou vodou.

## ZÁRUKA

Společnost Joolz nabízí celoživotní záruku v rámci Joolz Aer. Záruka se vztahuje na veškerý materiál a na výrobní vady, nikoliv však na výměnu nebo vrácení výrobku. Chcete-li získat nárok na doživotní záruku, stačí jen zaregistrovat svůj kočárek Joolz na adrese [register.joolz.com](http://register.joolz.com) do šesti měsíců od zakoupení a uchovat originální doklad o zakoupení s datem nákupu. Pokud neprovedete registraci svého kočárku Joolz do šesti měsíců od zakoupení, získáváte dvouletou záruku.

Záruka je platná pouze tehdy, pokud s vadným výrobkem doručíte svému prodejci následující:

- 1) Záruční list,
- 2) Jakákoli forma osobní identifikace,
- 3) Kopie dokladu o nákupu (s datem nákupu),
- 4) Podrobný popis závady.

Certifikát k záruce obdržíte po registraci kočárku Joolz na našem webu [register.joolz.com](http://register.joolz.com).

Pokud vám váš prodejce nemůže pomoci při vyřizování vaší reklamace, obraťte se na zástupce společnosti Joolz. Vezměte prosím na vědomí, že při případných opravách se dvouletá záruční doba neprodlužuje.

## ZÁRUKA SE NEVZTAHUJE NA NÁSLEDUJÍCÍ PŘÍPADY:

- 1) Defekty způsobené běžným opotřebením (například ojetá kola či opotřebovaná látka po každodenním používání, škrábance na hliníkových nebo kovových částech a přirozená ztráta barevnosti materiálů v průběhu času nebo v důsledku nedodržení pokynů k údržbě).
- 2) Poškození kol (díry a trhliny).
- 3) Škody způsobené nehodami, nesprávným užíváním, nedodržováním předpisů, ohněm, kontaktem s tekutinami nebo jinou externí příčinou.
- 4) Škody způsobené nedodržováním pokynů v uživatelské příručce, instruktážních filmech nebo jiných předpisech Joolz.
- 5) Škody způsobené jinými výrobky, včetně příslušenství.
- 6) Škody způsobené servisem nebo opravami, které nejsou provedeny oficiálním zástupcem Joolz.
- 7) Krádeže.
- 8) Poškození při letecké přepravě.

Bezpečnost byla důležitým faktorem v průběhu vývoje dětského sportovního kočárku Joolz Aer. Naše výrobky jsou proto v plném souladu s následujícími bezpečnostními normami:

Evropa: EN 1888-2:2018

USA: ASTM F833-19

Kanada: SOR/2016-167

Austrálie: AS/NZS 2088:2013

Máte-li nějaké otázky či připomínky, navštivte web [joolz.com](http://joolz.com), [facebook.com/myjoolz](https://facebook.com/myjoolz) nebo se obraťte na svého prodejce.

# SLOVENSKY

**DÔLEŽITÉ:** STAROSTLIVO SI PROSÍM PREČÍTAJTE PRED POUŽITÍM TIETO POKYNY A USCHOVAJTE ICH PRE BUDÚCE POUŽITIE.

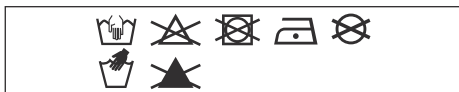
## **VAROVANIE**

- + Sedačka je určená pre deti vo veku od 6 mesiacov až do hmotnosti 22 kg/50 lbs a maximálnej výšky 108 cm/42,5 palca.
- + Táto sedačka nie je vhodná pre deti mladšie ako 6 mesiacov.
- + Tento výrobok nie je vhodný pre beh alebo korčuľovanie.
- + Nikdy nenechávajte dieťa bez dozoru.
- + Aby nedošlo k zraneniu sa uistite, že vaše dieťa/deti je/sú pri nastavovaní, rozkladaní a skladaní tohto výrobku v bezpečí.
- + Pri skladaní alebo rozkladaní športového kočíku/kočíku dávajte pozor na uviaznutie prstov. Je treba dávať pozor.
- + Dajte pozor na riziko vážneho poranenia v dôsledku pádu alebo sklznutia. Vždy používajte zadržiavací systém.
- + Uistite sa, že sú všetky mechanické zámky pred použitím aplikované.
- + Skontrolujte pred použitím, či je zariadenie na upevnenie sedačky alebo auto sedačky správne zapojené.
- + Sedačka je kompatibilná iba s podvozkom Joolz Aer a naopak.
- + Akákoľvek záťaž pripevnená na rukoväť a/alebo na zadnú stranu chrbtovej opierky a/alebo na boky vozíka bude mať dopad na stabilitu vozíka.
- + Balíčky alebo doplnkové položky, či oboje, umiestnené na jednotke môžu spôsobiť jej nestabilitu. Nadmerná hmotnosť môže spôsobiť rizikové nestabilné podmienky.
- + Do sedačky sa smie vždy dávať iba jedno dieťa súčasne.
- + Používajte iba auto sedačky, náhradné či doplnkové diely a príslušenstvo, ktoré dodala alebo schválila spoločnosť Joolz.
- + Nepoužívajte žiadne vankúše, cumlíky či dodatočné matrace na vypchatie, ktoré nedodala či neschválila spoločnosť Joolz.
- + Auto sedačky používané v kombinácii s podvozkom, nenahrádzajú vaničku alebo posteľ. Pokiaľ vaše dieťa potrebuje spať, je treba ho dať do vhodnej kolisky, postieľky či schválenej spacej oblasti, podľa potrieb vášho dieťaťa.
- + Pravidelne kontrolujte prípadné poškodenie alebo opotrebovanie podvozku kočíka, sedačky a príslušenstva.
- + Nepoužívajte kočík, ak sú niektoré z dielov poškodené, natrhnuté alebo chýbajú.
- + Vždy použite otočný zámok na predné kolesá pred skladaním kočíka. Ak tak neurobíte, môže dôjsť k deformácii pneumatík, a to najmä v horúcom prostredí.
- + Brzdy by mali byť pri vkladaní a vyberaní detí vždy zatiahnuté.
- + Maximálna hmotnosť v nákupnom koši je 5 kg/11 lbs.
- + Dávajte pozor, aby dieťa do kočíka neliezlo.
- + Nedovoľte, aby sa vaše dieťa/deti hralo/i s týmto výrobkom.
- + Uistite sa, že je pri brzdení brzdový pedál úplne zošliapnutý.
- + Maximálna hmotnosť vrečka chrbtovej opierky je 2 kg.

## POKYNY PRE ÚDRŽBU/ČISTENIE

Vyčistite tkaninu s vlažnou vodou a mydlom.

Opláchnite vlažnou vodou a nechajte uschnúť. Nikdy nepoužívajte bielicidlá alebo iné chemické čistiace prostriedky. Pravidelne (približne raz za mesiac) namažte kolesá a kovové diely s teflónovým alebo silikónovým sprejom s cieľom zabezpečiť aby kočík hladko fungoval.



Hliníkové časti vášho kočíka Aer sú eloxované, aby bol chránený pred vonkajšími vplyvmi, ako je korózia. Časti z eloxovaného hliníka sú citlivé na kyslé prostredie alebo masnoty, ktoré môžu spôsobiť škvrny a zafarbenie hliníkových dielov. Preto vám odporúčame očistiť hliníkové časti vášho kočíka s teplou vodou a mäkkou handričkou.

## ZÁRUKA

Joolz ponúka celožitovnú záruku na Joolz Aer. Záruka sa vzťahuje na všetky materiálové vady a výrobné chyby, nie však na výmenu alebo vrátenie výrobku. Na získanie nároku na záruku na celé obdobie životnosti stačí, ak svoj kočík Joolz zaregistrujete do šiestich mesiacov od jeho zakúpenia na webovej stránke [register.joolz.com](http://register.joolz.com). Originálny doklad o kúpe obsahujúci dátum nákupu si uschovajte. Pokiaľ svoj kočík Joolz nezaregistrujete do šiestich mesiacov od jeho zakúpenia, získate dvojročnú záruku.

Záruka je platná iba vtedy, ak dodáte svojmu predajcovi spolu s chybným výrobkom nasledujúce položky:

- 1) Váše osvedčenie o záruke,
- 2) Akýkoľvek doklad totožnosti,
- 3) Kópiu dokladu o kúpe (ktorý obsahuje dátum nákupu),
- 4) Podrobný opis vady.

Osvedčenie o záruke dostanete po zaregistrovaní svojho kočíka Joolz na našej webovej stránke [register.joolz.com](http://register.joolz.com).

Ak vám váš predajca nemôže pomôcť s vašou reklamáciou, obráťte sa na firmu Joolz. Upozorňujeme vás, že opravy nepredlžujú záručnú dobu.

## ZÁRUKA SA NEVZŤAHUJE NA:

- 1) Chyby spôsobené bežným opotrebením, ako sú opotrebované kolesá a tkaniny v dôsledku každodenného používania, škrabance na hliníku a/alebo kove a prirodzená zmena farby materiálu, ku ktorej časom dochádza, prípadne chyby spôsobené nedodržaním pokynov na údržbu.
- 2) Poškodenie kolies, ako sú diery a trhliny.
- 3) Poškodenie spôsobené nehodou, nesprávnym použitím, nedbalosťou, požiarom, stykom s kvapalinami alebo iným vonkajším vplyvom.
- 4) Poškodenie, ku ktorému dôjde v dôsledku nedodržania pokynov uvedených v návode na použitie, inštruktážnych filmoch alebo iných usmerneniach spoločnosti joolz.
- 5) Poškodenie spôsobené iným výrobkom vrátane príslušenstva.
- 6) Poškodenie spôsobené servisom alebo opravou vykonanými neoficiálnym zástupcom spoločnosti joolz.
- 7) Odcudzenie.
- 8) Poškodenie spôsobené počas leteckej prepravy alebo nákladnej prepravy.

Bezpečnosť bola pri celom vývoji kočíka a vaničky Joolz Aer dôležitým hľadiskom. Preto naše výrobky spĺňajú nasledovné bezpečnostné normy:

Európa: EN 1888-2:2018  
Spojené štáty americké: ASTM F833-19  
Kanada: SOR/2016-167  
Austrália: AS/NZS 2088:2013

Navštívte [joolz.com](http://joolz.com), [facebook.com/myjoolz](https://facebook.com/myjoolz) alebo sa obráťte na svojho predajcu pre prípadné otázky a / alebo pripomienky.

# ΕΛΛΗΝΙΚΑ

**ΣΗΜΑΝΤΙΚΟ:** ΔΙΑΒΑΣΤΕ ΑΥΤΕΣ ΤΙΣ ΟΔΗΓΙΕΣ ΠΡΟΣΕΚΤΙΚΑ ΠΡΙΝ ΑΠΟ ΤΗ ΧΡΗΣΗ ΚΑΙ ΦΥΛΑΞΤΕ ΤΙΣ ΓΙΑ ΜΕΛΛΟΝΤΙΚΗ ΑΝΑΦΟΡΑ.

## ΠΡΟΕΙΔΟΠΟΙΗΣΗ

- + Το κάθισμα αυτό προορίζεται για παιδιά από 6 μηνών έως το πολύ 22 kg/50 lbs και μέγιστο βάρος 108 cm/42.5 in.
- + Αυτό το κάθισμα δεν είναι κατάλληλο για παιδιά κάτω των 6 μηνών.
- + Μην χρησιμοποιείτε το προϊόν αυτό όταν κάνετε τζόκινγκ ή όταν φοράτε πατίνια.
- + Μην αφήνετε ποτέ ένα παιδί χωρίς επιτήρηση.
- + Για την αποφυγή τραυματισμού, βεβαιωθείτε ότι το παιδί/ τα παιδιά σας δεν βρίσκονται κοντά όταν ρυθμίζετε, ανοίγετε ή κλείνετε το προϊόν.
- + Μπορεί να παγιδευτούν τα δάχτυλά σας κατά το άνοιγμα ή κλείσιμο στο καρότσι. Πρέπει να ειστε ιδιαίτερα προσεκτικοί.
- + Αποφύγετε σοβαρούς τραυματισμούς από πτώσεις ή ολισθήσεις. Χρησιμοποιείτε πάντα το σύστημα πρόσδεσης.
- + Βεβαιωθείτε ότι έχουν ενεργοποιηθεί όλες οι διατάξεις ασφάλισης πριν από τη χρήση.
- + Ελέγχετε ότι οι διατάξεις σύνδεσης των καθισμάτων ή των καθισμάτων αυτοκινήτου έχουν ασφαλίσει σωστά πριν από τη χρήση.
- + Η διάταξη καθίσματος είναι συμβατή μόνο με το πλαίσιο Joolz Aer και αντίστροφα.
- + Οποιοδήποτε φορτίο προσαρτημένο στη ράβδο ώθησης και/ ή στο πίσω μέρος της πλάτης και/ή στις πλευρές του συστήματος μεταφοράς θα επηρεάσουν τη σταθερότητα του συστήματος μεταφοράς.
- + Τα δέματα ή τα αξεσουάρ ή και τα δύο, που τοποθετούνται στη διάταξη μπορεί να προκαλέσουν αστάθεια στη διάταξη. Το υπερβολικό βάρος μπορεί να προκαλέσει επικίνδυνη ασταθή κατάσταση.
- + Η διάταξη καθίσματος μπορεί να μεταφέρει μόνο ένα παιδί κάθε φορά.
- + Χρησιμοποιείτε μόνο καθίσματα αυτοκινήτου, αντικαταστάσεις ή ανταλλακτικά και αξεσουάρ που παρέχονται ή εγκρίνονται από την Joolz.
- + Μην χρησιμοποιείτε μαξιλάρια, παπλώματα ή πρόσθετα στρώματα για επιθέματα που δεν παρέχονται ή εγκρίνονται από την Joolz.
- + Τα καθίσματα αυτοκινήτου που χρησιμοποιούνται μαζί με σκελετό δεν αντικαθιστούν ένα λίκνο ή κρεβάτι. Αν το παιδί σας πρέπει να κοιμηθεί, τότε πρέπει να το βάλετε σε κατάλληλη κούνια, κρεβάτι ή εγκεκριμένη περιοχή ύπνου βάσει των απαιτήσεων του παιδιού σας.
- + Ελέγχετε το σκελετό του καροτσιού, τη διάταξη καθίσματος και τα αξεσουάρ τακτικά για σημάδια ζημιάς και φθοράς.
- + Μην χρησιμοποιείτε το καρότσι αν οποιοδήποτε τμήμα του είναι φθαρμένο, σχισμένο ή λείπει.
- + Εφαρμόζετε πάντα την ασφάλεια περιστροφής στους μπροστινούς τροχούς πριν διπλώσετε το καρότσι. Σε αντίθετη περίπτωση ενδέχεται να προκληθεί παραμόρφωση στα ελαστικά, ειδικά σε ζεστό περιβάλλον.
- + Τα φρένα πρέπει να είναι πάντοτε ασφαλισμένα κατά την τοποθέτηση και την απομάκρυνση των παιδιών.
- + Το μέγιστο βάρος για το καλάθι αγορών είναι 5 kg/11 lbs.
- + Βεβαιωθείτε ότι τα παιδιά δεν σκαρφαλώνουν στο καρότσι.
- + Μην αφήνετε τα παιδιά σας να παίζουν με το προϊόν αυτό.
- + Βεβαιωθείτε ότι το πετάλι πέδης είναι πλήρως πατημένο όταν χρησιμοποιείτε την πέδη.
- + Το μέγιστο βάρος που μπορεί να υποστηρίξει η θήκη στην πλάτη του καθίσματος είναι 2 kg/4.4 lbs.

## ΟΔΗΓΙΕΣ ΣΥΝΤΗΡΗΣΗΣ/ΠΛΥΣΙΜΑΤΟΣ

Καθαρίστε το ύφασμα με χλιαρό νερό και σαπούνι. Ξεπλύνετε με καθαρό νερό και αφήστε να στεγνώσει. Μην χρησιμοποιείτε ποτέ χλωρίνη ή άλλα χημικά απορρυπαντικά. Ανά τακτά χρονικά διαστήματα (περίπου μία φορά το μήνα) να χρησιμοποιείτε Teflon ή σπρέι σιλικόνης στους τροχούς και τα μεταλλικά μέρη, για να διασφαλίζετε την ομαλή κίνηση του καροτσιού.



Τα μέρη του καροτσιού Aer από αλουμίνιο είναι ανοδιωμένα για να προστατεύονται από εξωτερικές επιδράσεις όπως η διάβρωση. Τα μέρη από επικαλυμμένο αλουμίνιο είναι ευάλωτα σε όξινα καθαριστικά ή γράσο, τα οποία μπορεί να προκαλέσουν λεκέδες και αποχρωματισμούς στα μέρη από αλουμίνιο. Συνεπώς, συνιστάται να καθαρίζετε τα μέρη του καροτσιού από αλουμίνιο με ζεστό νερό και ένα μαλακό πανί.

## ΕΓΓΥΗΣΗ

Η Joolz προσφέρει διά παντός εγγύησης για το Joolz Aer. Η εγγύηση καλύπτει όλα τα ελαττώματα υλικού και κατασκευής, αλλά όχι την ανταλλαγή ή επιστροφή του προϊόντος. Για να δικαιούστε την εγγύηση διά παντός, το μόνο που πρέπει να κάνετε είναι να καταχωρίσετε το καρότσι σας Joolz στη διεύθυνση [register.joolz.com](http://register.joolz.com) μέσα σε έξι μήνες από την αγορά και να κρατήσετε την αρχική απόδειξη αγοράς που περιλαμβάνει και την ημερομηνία αγοράς. Σε περίπτωση που δεν καταχωρίσετε το καρότσι σας Joolz εντός έξι μηνών από την αγορά, θα λάβετε εγγύηση δύο ετών.

Η εγγύηση ισχύει μόνο αν προσκομίσετε στο μεταπωλητή σας το ελαττωματικό προϊόν μαζί με τα παρακάτω:

- 1) πιστοποιητικό εγγύησης,
- 2) οποιοδήποτε έγγραφο που να πιστοποιεί την ταυτότητά σας,
- 3) αντίγραφο της απόδειξης αγοράς (συμπεριλαμβανομένης της ημερομηνίας αγοράς),
- 4) λεπτομερή περιγραφή του ελαττώματος.

Θα παραλάβετε το πιστοποιητικό εγγύησης μετά την καταχώριση του καροτσιού σας Joolz στον ιστότοπό μας, [register.joolz.com](http://register.joolz.com).

Αν ο μεταπωλητής δεν μπορεί να βοηθήσει με το πρόβλημά σας, επικοινωνήστε με την Joolz. Έχετε υπόψη ότι οποιαδήποτε επισκευή δεν παρατείνει την περίοδο εγγύησης.

## Η ΕΓΓΥΗΣΗ ΔΕΝ ΚΑΛΥΠΤΕΙ:

- 1) Ελαττώματα που έχουν προκληθεί από φυσιολογικές ζημιές και φθορές, όπως φθαρμένοι τροχοί και υφάσματα λόγω καθημερινής χρήσης, γρατζουνιές στα μέρη από αλουμίνιο ή/και μέταλλο και φυσικό αποχρωματισμό των υλικών με την πάροδο του χρόνου ή ελαττώματα που προκλήθηκαν επειδή δεν τηρήθηκαν οι οδηγίες συντήρησης.
- 2) Ζημιές στους τροχούς, όπως τρύπες και σχισίματα.
- 3) Ζημιές που έχουν προκληθεί από ατυχήματα, ακατάλληλη χρήση, αμέλεια, πυρκαγιά, επαφή με υγρά ή άλλες εξωτερικές αιτίες.
- 4) Ζημιές που οφείλονται σε μη συμμόρφωση με το εγχειρίδιο οδηγιών, τις ταινίες οδηγιών ή άλλες οδηγίες από την Joolz.
- 5) Ζημιές που έχουν προκληθεί από άλλα προϊόντα, συμπεριλαμβανομένων των αξεσουάρ.
- 6) Ζημιές από σέρβις ή επισκευή από μη επίσημο αντιπρόσωπο της Joolz.
- 7) Κλοπή.
- 8) Ζημιές κατά την αερομεταφορά ή την αποστολή.

Η ασφάλεια ήταν σημαντικός παράγοντας σε ολόκληρο το σχεδιασμό του καροτσιού Joolz Aer. Τα προϊόντα μας επομένως πληρούν τα παρακάτω πρότυπα ασφαλείας:

Ευρώπη: EN 1888-2:2018

Ηνωμένες Πολιτείες: ASTM F833-19

Καναδάς: SOR/2016-167

Αυστραλία: AS/NZS 2088:2013

Επισκεφτείτε τις διεύθυνσεις [joolz.com](http://joolz.com), [facebook.com/mjoolz](https://www.facebook.com/mjoolz) ή επικοινωνήστε με το μεταπωλητή σας για τυχόν ερωτήσεις ή/και σχόλια.





# ג'ולס אייר

**חשוב:** יש לקרוא את ההוראות בקפידה לפני שימוש ולשמור אותם לשימוש עתידי.  
יש לעקוב אחר ההוראות היצרן

## ⚠ אזהרות

אבזם (בטיחות) אחרת הוא עלול להיפגע  
**שימו לב - סכנה:** חשוב להסב תשומת לב  
מרבית לשמירת הילדים הרחק מהעגלה  
בעת קיפולה או פתיחתה. לא ניתן למנוע  
היתפסות אצבעות או היווצרות חתכים  
במהלך פעולות אלו. לצורך כך יש לתרגל  
מוצר זה אינו מתאים לריצה או החלקה.  
יש לחגור את הילד בכל עת.  
לעולם אין להשאיר את רצועות הבטיחות  
במצב שאינו מכוונות בהתאמה לילד.  
רתמות הבטיחות יכולות ליצור צורת  
לולאות אשר עשויות לגרום לפגיעת חנק  
רתמת הבטיחות חייבת להיות מורכבת  
כראוי ומתאמת לילדך (במיוחד אחרי  
החלפה למטרות שטיפה וניקוי) אי  
התאמת הרתמה על פי ההוראות עלולה  
לפגום ביציבות העגלה  
יש לודא כי ההתקנים לחיבור יחידת  
המושב תקינים לפני שימוש  
יחידת המושב מתאימה בלבד לשלדת  
עגלת Joolz Aer ולהפך. אין להשתמש  
במושב עם דגמים אחרים של עגלות.  
כל מטען הנצמד לידיית האיחזה /  
משענת הגב האחורי/צידי העגלה ישפיעו  
על יציבות העגלה  
בעת הכנסת והוצאת הילדים מהעגלה  
תמיד יש להשתמש במעצור  
מטען או אביזרים נלווים או שניהם אשר  
ימוקמו על המושב עשויים לגרום ליחידת  
המושב להיות לא יציבה. עודף משקל  
עשוי לגרום למצב מסוכן של חוסר יציבות  
יחידת המושב מיועדת לנשיאה של ילד  
אחד בכל פעם  
אין להשאיר את הילד בעגלה בעת עליה  
או ירידה במדרגות או במדרגות נעות  
או בעת שינוע או בעת נסיעה באמצעי  
תחבורה אחר

- **אזהרה:** יחידת המושב מתאימה לילדים החל מגיל 6 חודשים ועד משקל מקסימלי של 15 ק"ג וגובה מקסימלי של 108 ס"מ
- לפי התקן הישראלי המשקל המקסימלי המותר לשימוש הינו 15 ק"ג אולם לפי ההוראות היצרן ניתן להשתמש עד 22 ק"ג ולכן המדבקות הנוספות.
- יחידות המושב אינה מתאימה לילדים מתחת לגיל 6 חודשים
- בטיחות הילד הינה באחריות המבוגר.
- לעולם אין להשאיר את הילד ללא השגחה
- כשהילד בעגלה תמיד השתמש ברתמת הבטיחות, (רתמת הבטיחות הכוללת את כל 5 הנקודות עגינה) רתמת הבטיחות איננה מהווה חלופה לפיקוח מבוגר הולם. לא להוסיף רצועות או לולאות העלולות להוות סכנת חנק.
- למניעת פגיעה חמורה של נפילה או החלקה החוצה יש תמיד להשתמש במערכת רצועות הבטיחות. ילד יכול להחליק החוצה דרך פתחי הרגליים.
- וודא כי כל התקני הנעילה והחלקים הנלווים הורכבו ופועלים כראוי לפני השימוש הראשוני ולפני כל שימוש בעגלה.
- למניעת פגיעה או מוות הקפד להעביר את העגלה למצב נעילה/ברקס בכל פעם כשאתה עוצר עם העגלה.
- הפעל את הנעילה/ברקס כאשר העגלה במצב נייח.
- אין לשאת ילדים נוספים או שקיות על עגלה זו.
- **אזהרה:** וודא כי אברי הילד רחוקים מכל חלקים נעים כאשר אתה מכוונן את העגלה (כגון: משענת ידיית או רצועות/

- השתמש בלבד בחלקי חילוף ואביזרים נלווים אשר מסופקים ומאושרים ע"י Joolz השימוש בחלקים לא מקוריים אשר לא אושרו ע"י Joolz אינם בטוחים
- אין להשתמש בכל סוג של כרית, תמיכה או תוספת מזרון לריפוד המושב אשר אינה מסופקת או מאושרת ע"י Joolz יש לבדוק את שלדת העגלה, יחידת המושב והאביזרים הנלווים אם יש בהם סימנים של נזק, פגם או קרע. אין להשתמש בעגלה אם מופיע בהם סימן של נזק או קרע.
- מקסימום תכולת המשקל המותרת בסל הקניות הוא 5 ק"ג
- השגח כי ילדים אינם מטפסים לתוך העגלה
- אין לאפשר לילד/ילדים לשחק עם מוצר זה
- אל תשאיר את העגלה חשופה לחום כגון: אש פתוחה להבה חשופה, רדיאטור או אור שמש ישיר
- העגלה זו מיועדת לשימוש על משטחים שטוחים או שיפועים עדינים
- יש לשים לב כי בשיפוע גבוה או על משטח שאינו אחיד העגלה יכולה להיות לא יציבה
- וודא שתופסן האחסון פועל בעת הרמת או נשיאת העגלה. השתמש ברצועת נשיאה בכדי להוביל בבטחה עגלה מקופלת.
- כדי להשתמש ברצועת האבטחה יש להכניס את פרק כף היד דרך הלולאה ולעטוף סביבה את הרצועה
- ודא כי דושת הבלם תקינה לחלוטין בעת שימוש.

היצרן: ג'ולס JOOLZ  
עיצוב: הולנד. ארץ יצור: סין

יבוא שיווק והפצה בלעדיים:  
ב.ב.קשרים שיווק ומסחר בע"מ  
האגוז 10, פארק תעשיות חבל מודיעין, שוהם 7319900,  
טל': 03-9511811, פקס: 03-9511090.  
מס' יבואן: www.bbk.co.il 512174368





## תחזוקה / הוראות ניקוי

יש לנקות את הריפוד עם מי ברז פושרים וסבון. יש לשטוף במים נקיים ולייבש באוויר. אין להלבין או להשתמש בחומרי ניקוי כימיקלים.

באופן קבוע (אחת לחודש לערך) יש לרסס על הגלגלים וחלקי המתכת בספרי סיליקון או טפלון על מנת להבטיח המשכיות נסיעה חלקה.



חלקי האלומיניום בדגם עגלת Joolz Aer מצטיינים בציפוי המגן מהשפעות חריגות כגון קורוזיה. ציפוי האלומיניום רגיש לחומרי ניקוי שומניים או הכוללים סוגי חומצה. חומרים אלו עלולים לגרום לכתמים או לדליית הצבע של חלקי האלומיניום. לכן המלצתנו לנקות את חלקי האלומיניום בעגלה עם מים חמים ומטלית רכה.

## אחריות

מוצר זה של Joolz באחריות על כל נזקי הייצור לתקופה של שנה מתאריך הקנייה בשימוש נכון ובכפוף להוכחת שימוש בהתאם להוראות התפעול. אחריות זו אינה מורחבת לתלונות המתייחסות לחוסר שביעות רצון מהמוצר במונחים של מידה, משקל, שימושיות, צבע או עיצוב.

אחריות זו אינה ניתנת להעברה ולהרחבה אלא רק עבור הקמעונאי המקורי והיא חוקית בלבד רק כאשר מסופקת עם הוכחת קנייה. אנא לתשומת ליבך כי הינך חייב לשמור על הוכחת קנייה לצורך אחריות מוגבלת זו. האחריות המוגבלת חוקית בלבד בארץ המקור בה נרכש המוצר. אחריות זו תואמת את מערכת החוקים והתנאים הקיימים בארץ בה נרכש הפריט. התנאים עשויים להשתנות. Joolz לא תשלח מוצר או חלקים חלופיים מחוץ למדינה בה נרכש הפריט.

**שירות לכל החיים** - לאחר סיום שנת האחריות ניתן שירות לכל החיים. סכום תשלום יקבע בהתאם לתיקונים/החלפת חלקים הנדרשים. האחריות מכסה את כל הפגמים בייצור ובחומרים אך לא החלפה או החזרה של המוצר. על מנת להיות זכאי לאחריות יש לשלוח את תעודת האחריות לכתובת מייל: [info@bbk.co.il](mailto:info@bbk.co.il) ולשמור על חשבונית הקנייה המקורית בצירוף תאריך הקנייה.

האחריות תהיה בתוקף רק אם תמציא ליבואן או לבעל החנות את הפרטים הבאים המתייחסים למוצר הפגום:

1. תעודת אחריות מאושרת שלך
2. פרטי זיהוי אישיים
3. העתק של חשבונית רכישה (ותאריך רכישה)
4. מפרט המתאר את הנזק לתשומת ליבך, תיקונים אינם מאריכים את תקופת האחריות.

## תעודת האחריות אינה מכסה:

1. פגמים אשר הינם תוצר של בלאי כגון: שחיקה של גלגלים או של הריפוד בשל שימוש יומיומי, שריטות על האלומיניום ו/או על המתכת ודליית צבע טבעית הנגרמת עם הזמן או כתוצאה מתחזוקה לא נכונה שלא בהתאם להוראות השימוש.
  2. נזק לגלגלים כגון חור או קרע
  3. נזקים או כשל שנגרמו ע"י תאונה, שימוש לא ראוי, רשלנות, התעללות או הזנחה, ממעלית, מדרגות או נזקים שהינם תוצאה של תאונות רכב, מקור אש, מגע עם נוזלים וכדומה.
  4. נזק לרכיבים נעים מתנאים סביבתיים קיצוניים כגון: חול, חצץ או שלג.
  5. קורוזיה או חלודה על הגלגלים ועל השסי כתוצאה מתנאים סביבתיים קיצוניים כגון: לחות גבוהה, רסיסי מלח, ברד או שלג.
  6. שינוי של המוצר בכל צורה.
  7. מוצר הנרכש מקמעונאי או מקור לא מורשה.
  8. נזקים אשר נגרמו בעקבות אי מעקב אחר הוראות, ההתקנה וכדומה
  9. נזקים אשר נגרמו ע"י מוצר אחר כולל אביזרים.
  10. נזקים שנגרמו ע"י שירות או תיקון של מעבדות שאינם מאושרות ע"י Joolz
  11. גניבה
  12. נזקים שנגרמו בהובלה באוויר או ברכבי הובלה ביבשה.
  13. הוצאות משלוח.
- בטיחות הוא תנאי חשוב ביותר בייצור ופיתוח של Joolz Aer. המוצרים של Joolz עומדים בכל התקנים הסטנדרטים הבינלאומיים של בטיחות: אירופה: EN 1888-1:2018 דגם של העגלה נבדק ע"י מכון התקנים הישראלי ומשווק באישורו.
- ניתן לבקר באתר שלנו [joolz.com](http://joolz.com) או ליצור קשר עם היבואן [bbk.co.il](http://bbk.co.il) או הקמעונאי לכל שאלה או צורך.



enjoy the ride #myjoolz



**JOO LZ** POSITIVE DESIGN  
stroll around the world of [joolz.com](http://joolz.com)